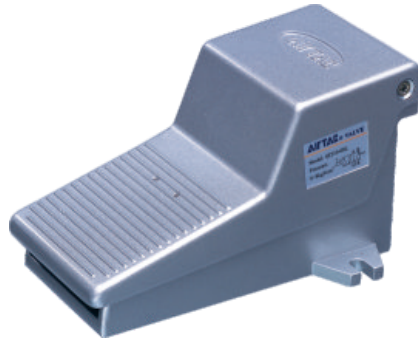


# Foot pedal valve(5/2way)

## 4F Series



Without lock



With lock



### Ordering code

**4F210 08 L T**

①

②

③

④

① Model	② Port size	③ Note	④ Thread type
4F210: 5/2 way Foot pedal valve	08: 1/4"	Blank: Without lock L: With lock F: With guard LF: With lock and guard	T: NPT

### Specification

Model	4F210-08	4F210-08L	4F210-08F	4F210-08LF
Fluid	Air (to be filtered by 40 μm filter element)			
Operating	Acting type controlled by foot			
Port size [Note1]	1/4"			
Valve type	5/2 Way			
Pressure range	0~145psi(0~1.0MPa)			
Proof pressure	215psi(1.5MPa)			
Temperature	-20~70℃			
Material body	Aluminum alloy			
Lubrication	Not required			

[Note1] NPT thread is available.

### Product feature

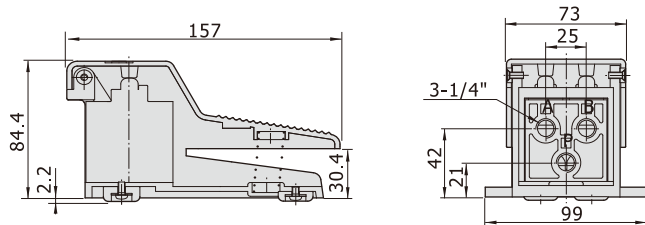
1. The aluminum foot pedal is designed with direct acting, which is steady and reliable.
2. If the duration of direction-change is long, the valves with lock may be selected.
3. The clamping framework is steady and reliable that it is easy and quick to unlock.  
However, with the limitation of the dimension of structure, it can not bear frequent strong impact.
4. Plastic guard with high strength may be selected.

# Foot pedal valve(5/2way)

## 4F Series

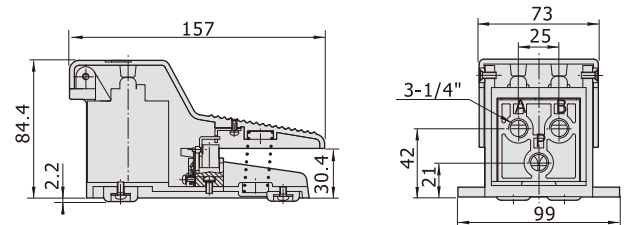
### Dimensions

**4F210**

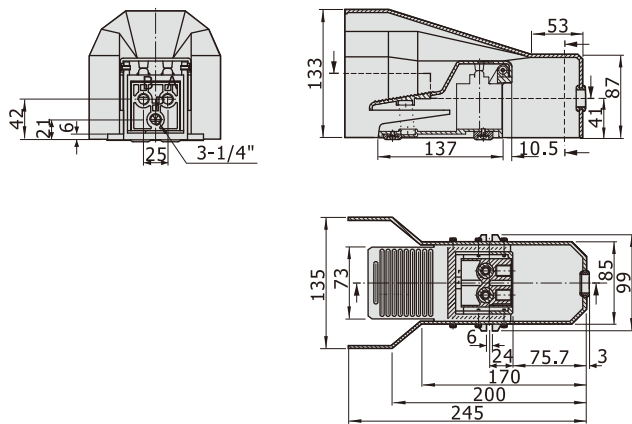


**4F210L**

[Unit: mm]



**4F210F**



**4F210LF**

