

# Valve Islands VS26 Series Plug-in Mini ISO Valves

2x3/2, 5/2 and 5/3 valves

ISO 15407-2

Size 26 mm

24V DC or 115V AC Multipole

Integrated Fieldbus

Field expandable with single add-on stations

Dual spool technology

VS26G Glandless spool and sleeve for long life

VS26S Softseal spool for high flow

Wide range of accessories

UL and ATEX

Universal PNP/NPN 24V DC Multipole

## Technical data

Medium

Compressed air, filtered to 40 µm, lubricated or non-lubricated

## Operation

VS26G: Glandless spool valve, solenoid pilot actuated

VS26S: Softseal spool valve, solenoid pilot actuated

## Mounting

Sub-base

Ports 2+4

G1/4, NPTF1/4, PIF 10 mm, PIF 8 mm, PIF 3/8

## Operating pressure

Maximum pressure

145 psi (10 bar) VS26S models and VS26G solenoid pilot actuated valves with internal pilot supply, 232 psi (16 bar) VS26G solenoid pilot actuated valves with external pilot supply

Details of minimum and maximum pilot pressure see overleaf.

## Flow characteristics

| Series | Function | Cv   | L/min |
|--------|----------|------|-------|
| VS26G  | 5/2      | 1.02 | 1000  |
| VS26G  | 5/3      | 1.02 | 1000  |
| VS26S  | 2x3/2    | 1.27 | 1250  |
| VS26S  | 5/2      | 1.37 | 1350  |
| VS26S  | 5/3      | 1.37 | 1350  |

## Ambient temperature

5°F to 122°F (-15°C to +50°C)

## Medium temperature

23°F to 122°F (-5°C to +50°C)

Consult our technical service for use below 35°F (+2°C).

## Materials

Body/sub-base: die-cast aluminum

Glandless spool & sleeve (VS26G): aluminum, hard anodized, teflon coated

Softseal spool (VS26S): aluminum with HNBR seals

Plastic parts: POM, PA, PPA

Mounting sheets/screws: steel, zinc coated

Springs: stainless steel

Sandwich plates: aluminum bar material

Regulator screws: brass

Electrical contacts: brass, tin/gold coated

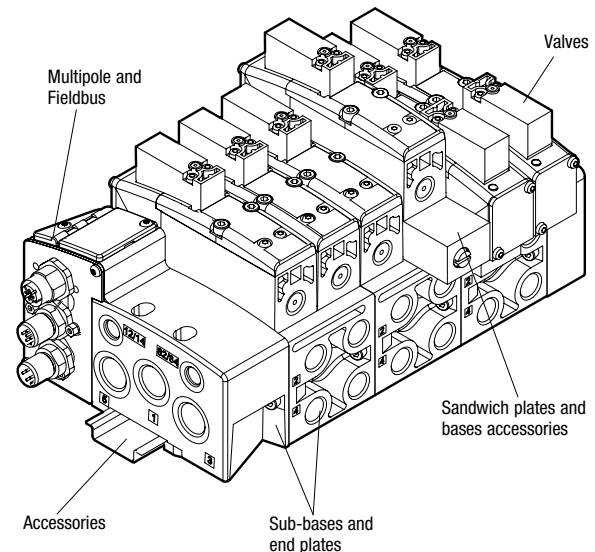
PCB: glasepoxy



To order please use valve island configurator available at [www.norgren.com](http://www.norgren.com)

Alternatively contact Norgren for

a configurator on CD or use our worksheet.



## Valve Islands VS26 Series Plug-in Mini ISO Valves

2x3/2, 5/2 and 5/3 valves, ISO 15407-2, Size 26 mm

### 2x3/2 Double solenoid actuated Softseal valves flow = 1.27 Cv (1250 L/min)

| Model          | Function<br>2 x 3/2 | Actuation  | Pilot<br>supply | Pilot pressure<br>psi [bar]         | Operating<br>pressure psi (bar) | Manual<br>override  | Voltage       |
|----------------|---------------------|------------|-----------------|-------------------------------------|---------------------------------|---------------------|---------------|
| VS26SA11DF313A | NC                  | Sol/Spring | Internal        | -                                   | 36 to 145 (2.5 to 10)           | Push only           | 24V DC 1.2W   |
| VS26SA11DF318A | NC                  | Sol/Spring | Internal        | -                                   | 36 to 145 (2.5 to 10)           | Push only           | 115V AC 1.5VA |
| VS26SA11DF213A | NC                  | Sol/Spring | Internal        | -                                   | 36 to 145 (2.5 to 10)           | Push & turn         | 24V DC 1.2W   |
| VS26SA11DF218A | NC                  | Sol/Spring | Internal        | -                                   | 36 to 145 (2.5 to 10)           | Push & turn         | 115V AC 1.5VA |
| VS26SA11DF513A | NC                  | Sol/Spring | Internal        | -                                   | 36 to 145 (2.5 to 10)           | Extended, push only | 24V DC 1.2W   |
| VS26SA11DF518A | NC                  | Sol/Spring | Internal        | -                                   | 36 to 145 (2.5 to 10)           | Extended, push only | 115V AC 1.5VA |
| VS26SA22DF313A | NC                  | Sol/Spring | External        | 25 [1.7] + (7.3 [0.5] x op. press.) | 0 to 145 (0 to 10)              | Push only           | 24V DC 1.2W   |
| VS26SA22DF318A | NC                  | Sol/Spring | External        | 25 [1.7] + (7.3 [0.5] x op. press.) | 0 to 145 (0 to 10)              | Push only           | 115V AC 1.5VA |
| VS26SA22DF213A | NC                  | Sol/Spring | External        | 25 [1.7] + (7.3 [0.5] x op. press.) | 0 to 145 (0 to 10)              | Push & turn         | 24V DC 1.2W   |
| VS26SA22DF218A | NC                  | Sol/Spring | External        | 25 [1.7] + (7.3 [0.5] x op. press.) | 0 to 145 (0 to 10)              | Push & turn         | 115V AC 1.5VA |
| VS26SA22DF513A | NC                  | Sol/Spring | External        | 25 [1.7] + (7.3 [0.5] x op. press.) | 0 to 145 (0 to 10)              | Extended, push only | 24V DC 1.2W   |
| VS26SA22DF518A | NC                  | Sol/Spring | External        | 25 [1.7] + (7.3 [0.5] x op. press.) | 0 to 145 (0 to 10)              | Extended, push only | 115V AC 1.5VA |
| VS26SB11DF313A | NO                  | Sol/Spring | Internal        | -                                   | 36 to 145 (2.5 to 10)           | Push only           | 24V DC 1.2W   |
| VS26SB11DF318A | NO                  | Sol/Spring | Internal        | -                                   | 36 to 145 (2.5 to 10)           | Push only           | 115V AC 1.5VA |
| VS26SB11DF213A | NO                  | Sol/Spring | Internal        | -                                   | 36 to 145 (2.5 to 10)           | Push & turn         | 24V DC 1.2W   |
| VS26SB11DF218A | NO                  | Sol/Spring | Internal        | -                                   | 36 to 145 (2.5 to 10)           | Push & turn         | 115V AC 1.5VA |
| VS26SB11DF513A | NO                  | Sol/Spring | Internal        | -                                   | 36 to 145 (2.5 to 10)           | Extended, push only | 24V DC 1.2W   |
| VS26SB11DF518A | NO                  | Sol/Spring | Internal        | -                                   | 36 to 145 (2.5 to 10)           | Extended, push only | 115V AC 1.5VA |
| VS26SB22DF313A | NO                  | Sol/Spring | External        | 25 [1.7] + (7.3 [0.5] x op. press.) | 0 to 145 (0 to 10)              | Push only           | 24V DC 1.2W   |
| VS26SB22DF318A | NO                  | Sol/Spring | External        | 25 [1.7] + (7.3 [0.5] x op. press.) | 0 to 145 (0 to 10)              | Push only           | 115V AC 1.5VA |
| VS26SB22DF213A | NO                  | Sol/Spring | External        | 25 [1.7] + (7.3 [0.5] x op. press.) | 0 to 145 (0 to 10)              | Push & turn         | 24V DC 1.2W   |
| VS26SB22DF218A | NO                  | Sol/Spring | External        | 25 [1.7] + (7.3 [0.5] x op. press.) | 0 to 145 (0 to 10)              | Push & turn         | 115V AC 1.5VA |
| VS26SB22DF513A | NO                  | Sol/Spring | External        | 25 [1.7] + (7.3 [0.5] x op. press.) | 0 to 145 (0 to 10)              | Extended, push only | 24V DC 1.2W   |
| VS26SB22DF518A | NO                  | Sol/Spring | External        | 25 [1.7] + (7.3 [0.5] x op. press.) | 0 to 145 (0 to 10)              | Extended, push only | 115V AC 1.5VA |
| VS26SC11DF313A | NO/NC               | Sol/Spring | Internal        | -                                   | 36 to 145 (2.5 to 10)           | Push only           | 24V DC 1.2W   |
| VS26SC11DF318A | NO/NC               | Sol/Spring | Internal        | -                                   | 36 to 145 (2.5 to 10)           | Push only           | 115V AC 1.5VA |
| VS26SC11DF213A | NO/NC               | Sol/Spring | Internal        | -                                   | 36 to 145 (2.5 to 10)           | Push & turn         | 24V DC 1.2W   |
| VS26SC11DF218A | NO/NC               | Sol/Spring | Internal        | -                                   | 36 to 145 (2.5 to 10)           | Push & turn         | 115V AC 1.5VA |
| VS26SC11DF513A | NO/NC               | Sol/Spring | Internal        | -                                   | 36 to 145 (2.5 to 10)           | Extended, push only | 24V DC 1.2W   |
| VS26SC11DF518A | NO/NC               | Sol/Spring | Internal        | -                                   | 36 to 145 (2.5 to 10)           | Extended, push only | 115V AC 1.5VA |
| VS26SC22DF313A | NO/NC               | Sol/Spring | External        | 25 [1.7] + (7.3 [0.5] x op. press.) | 0 to 145 (0 to 10)              | Push only           | 24V DC 1.2W   |
| VS26SC22DF318A | NO/NC               | Sol/Spring | External        | 25 [1.7] + (7.3 [0.5] x op. press.) | 0 to 145 (0 to 10)              | Push only           | 115V AC 1.5VA |
| VS26SC22DF213A | NO/NC               | Sol/Spring | External        | 25 [1.7] + (7.3 [0.5] x op. press.) | 0 to 145 (0 to 10)              | Push & turn         | 24V DC 1.2W   |
| VS26SC22DF218A | NO/NC               | Sol/Spring | External        | 25 [1.7] + (7.3 [0.5] x op. press.) | 0 to 145 (0 to 10)              | Push & turn         | 115V AC 1.5VA |
| VS26SC22DF513A | NO/NC               | Sol/Spring | External        | 25 [1.7] + (7.3 [0.5] x op. press.) | 0 to 145 (0 to 10)              | Extended, push only | 24V DC 1.2W   |
| VS26SC22DF518A | NO/NC               | Sol/Spring | External        | 25 [1.7] + (7.3 [0.5] x op. press.) | 0 to 145 (0 to 10)              | Extended, push only | 115V AC 1.5VA |



**5/2 Single and double solenoid actuated Glandless valves flow = 1.02 Cv (1000 L/min)**

| Model          | Function | Actuation          | Pilot supply | Pilot pressure psi (bar) | Operating pressure psi (bar) | Manual override     | Voltage       |
|----------------|----------|--------------------|--------------|--------------------------|------------------------------|---------------------|---------------|
| VS26G511DF313A | 5/2      | Sol/Sol            | Internal     | -                        | 29 to 145 (2 to 10)          | Push only           | 24V DC 1.2W   |
| VS26G511DF318A | 5/2      | Sol/Sol            | Internal     | -                        | 29 to 145 (2 to 10)          | Push only           | 115V AC 1.5VA |
| VS26G511DF213A | 5/2      | Sol/Sol            | Internal     | -                        | 29 to 145 (2 to 10)          | Push & turn         | 24V DC 1.2W   |
| VS26G511DF218A | 5/2      | Sol/Sol            | Internal     | -                        | 29 to 145 (2 to 10)          | Push & turn         | 115V AC 1.5VA |
| VS26G511DF513A | 5/2      | Sol/Sol            | Internal     | -                        | 29 to 145 (2 to 10)          | Extended, push only | 24V DC 1.2W   |
| VS26G511DF518A | 5/2      | Sol/Sol            | Internal     | -                        | 29 to 145 (2 to 10)          | Extended, push only | 115V AC 1.5VA |
| VS26G522DF313A | 5/2      | Sol/Sol            | External     | 29 to 145 (2 to 10)      | 26" Hg to 232 (-0.9 to 16)   | Push only           | 24V DC 1.2W   |
| VS26G522DF318A | 5/2      | Sol/Sol            | External     | 29 to 145 (2 to 10)      | 26" Hg to 232 (-0.9 to 16)   | Push only           | 115V AC 1.5VA |
| VS26G522DF213A | 5/2      | Sol/Sol            | External     | 29 to 145 (2 to 10)      | 26" Hg to 232 (-0.9 to 16)   | Push & turn         | 24V DC 1.2W   |
| VS26G522DF218A | 5/2      | Sol/Sol            | External     | 29 to 145 (2 to 10)      | 26" Hg to 232 (-0.9 to 16)   | Push & turn         | 115V AC 1.5VA |
| VS26G522DF513A | 5/2      | Sol/Sol            | External     | 29 to 145 (2 to 10)      | 26" Hg to 232 (-0.9 to 16)   | Extended, push only | 24V DC 1.2W   |
| VS26G522DF518A | 5/2      | Sol/Sol            | External     | 29 to 145 (2 to 10)      | 26" Hg to 232 (-0.9 to 16)   | Extended, push only | 115V AC 1.5VA |
| VS26G591DF313A | 5/2      | Sol (Priority)/Sol | Internal     | -                        | 29 to 145 (2 to 10)          | Push only           | 24V DC 1.2W   |
| VS26G591DF318A | 5/2      | Sol (Priority)/Sol | Internal     | -                        | 29 to 145 (2 to 10)          | Push only           | 115V AC 1.5VA |
| VS26G591DF213A | 5/2      | Sol (Priority)/Sol | Internal     | -                        | 29 to 145 (2 to 10)          | Push & turn         | 24V DC 1.2W   |
| VS26G591DF218A | 5/2      | Sol (Priority)/Sol | Internal     | -                        | 29 to 145 (2 to 10)          | Push & turn         | 115V AC 1.5VA |
| VS26G591DF513A | 5/2      | Sol (Priority)/Sol | Internal     | -                        | 29 to 145 (2 to 10)          | Extended, push only | 24V DC 1.2W   |
| VS26G591DF518A | 5/2      | Sol (Priority)/Sol | Internal     | -                        | 29 to 145 (2 to 10)          | Extended, push only | 115V AC 1.5VA |
| VS26G592DF313A | 5/2      | Sol (Priority)/Sol | External     | 29 to 145 (2 to 10)      | 26" Hg to 232 (-0.9 to 16)   | Push only           | 24V DC 1.2W   |
| VS26G592DF318A | 5/2      | Sol (Priority)/Sol | External     | 29 to 145 (2 to 10)      | 26" Hg to 232 (-0.9 to 16)   | Push only           | 115V AC 1.5VA |
| VS26G592DF213A | 5/2      | Sol (Priority)/Sol | External     | 29 to 145 (2 to 10)      | 26" Hg to 232 (-0.9 to 16)   | Push & turn         | 24V DC 1.2W   |
| VS26G592DF218A | 5/2      | Sol (Priority)/Sol | External     | 29 to 145 (2 to 10)      | 26" Hg to 232 (-0.9 to 16)   | Push & turn         | 115V AC 1.5VA |
| VS26G592DF513A | 5/2      | Sol (Priority)/Sol | External     | 29 to 145 (2 to 10)      | 26" Hg to 232 (-0.9 to 16)   | Extended, push only | 24V DC 1.2W   |
| VS26G592DF518A | 5/2      | Sol (Priority)/Sol | External     | 29 to 145 (2 to 10)      | 26" Hg to 232 (-0.9 to 16)   | Extended, push only | 115V AC 1.5VA |
| VS26G517DF313A | 5/2      | Sol/Spring         | Internal     | -                        | 23 to 145 (1.6 to 10)        | Push only           | 24V DC 1.2W   |
| VS26G517DF318A | 5/2      | Sol/Spring         | Internal     | -                        | 23 to 145 (1.6 to 10)        | Push only           | 115V AC 1.5VA |
| VS26G517DF213A | 5/2      | Sol/Spring         | Internal     | -                        | 23 to 145 (1.6 to 10)        | Push & turn         | 24V DC 1.2W   |
| VS26G517DF218A | 5/2      | Sol/Spring         | Internal     | -                        | 23 to 145 (1.6 to 10)        | Push & turn         | 115V AC 1.5VA |
| VS26G517DF513A | 5/2      | Sol/Spring         | Internal     | -                        | 23 to 145 (1.6 to 10)        | Extended, push only | 24V DC 1.2W   |
| VS26G517DF518A | 5/2      | Sol/Spring         | Internal     | -                        | 23 to 145 (1.6 to 10)        | Extended, push only | 115V AC 1.5VA |
| VS26G527DF313A | 5/2      | Sol/Spring         | External     | 23 to 145 (1.6 to 10)    | 26" Hg to 232 (-0.9 to 16)   | Push only           | 24V DC 1.2W   |
| VS26G527DF318A | 5/2      | Sol/Spring         | External     | 23 to 145 (1.6 to 10)    | 26" Hg to 232 (-0.9 to 16)   | Push only           | 115V AC 1.5VA |
| VS26G527DF213A | 5/2      | Sol/Spring         | External     | 23 to 145 (1.6 to 10)    | 26" Hg to 232 (-0.9 to 16)   | Push & turn         | 24V DC 1.2W   |
| VS26G527DF218A | 5/2      | Sol/Spring         | External     | 23 to 145 (1.6 to 10)    | 26" Hg to 232 (-0.9 to 16)   | Push & turn         | 115V AC 1.5VA |
| VS26G527DF513A | 5/2      | Sol/Spring         | External     | 23 to 145 (1.6 to 10)    | 26" Hg to 232 (-0.9 to 16)   | Extended, push only | 24V DC 1.2W   |
| VS26G527DF518A | 5/2      | Sol/Spring         | External     | 23 to 145 (1.6 to 10)    | 26" Hg to 232 (-0.9 to 16)   | Extended, push only | 115V AC 1.5VA |

**5/2 Single and double solenoid actuated Softseal valves flow = 1.37 Cv (1350 L/min)**

| Model          | Function | Actuation  | Pilot supply | Pilot pressure psi (bar) | Operating pressure psi (bar) | Manual override     | Voltage       |
|----------------|----------|------------|--------------|--------------------------|------------------------------|---------------------|---------------|
| VS26S511DF313A | 5/2      | Sol/Sol    | Internal     | -                        | 29 to 145 (2 to 10)          | Push only           | 24V DC 1.2W   |
| VS26S511DF318A | 5/2      | Sol/Sol    | Internal     | -                        | 29 to 145 (2 to 10)          | Push only           | 115V AC 1.5VA |
| VS26S511DF213A | 5/2      | Sol/Sol    | Internal     | -                        | 29 to 145 (2 to 10)          | Push & turn         | 24V DC 1.2W   |
| VS26S511DF218A | 5/2      | Sol/Sol    | Internal     | -                        | 29 to 145 (2 to 10)          | Push & turn         | 115V AC 1.5VA |
| VS26S511DF513A | 5/2      | Sol/Sol    | Internal     | -                        | 29 to 145 (2 to 10)          | Extended, push only | 24V DC 1.2W   |
| VS26S511DF518A | 5/2      | Sol/Sol    | Internal     | -                        | 29 to 145 (2 to 10)          | Extended, push only | 115V AC 1.5VA |
| VS26S522DF313A | 5/2      | Sol/Sol    | External     | 29 to 145 (2 to 10)      | 26" Hg to 145 (-0.9 to 10)   | Push only           | 24V DC 1.2W   |
| VS26S522DF318A | 5/2      | Sol/Sol    | External     | 29 to 145 (2 to 10)      | 26" Hg to 145 (-0.9 to 10)   | Push only           | 115V AC 1.5VA |
| VS26S522DF213A | 5/2      | Sol/Sol    | External     | 29 to 145 (2 to 10)      | 26" Hg to 145 (-0.9 to 10)   | Push & turn         | 24V DC 1.2W   |
| VS26S522DF218A | 5/2      | Sol/Sol    | External     | 29 to 145 (2 to 10)      | 26" Hg to 145 (-0.9 to 10)   | Push & turn         | 115V AC 1.5VA |
| VS26S522DF513A | 5/2      | Sol/Sol    | External     | 29 to 145 (2 to 10)      | 26" Hg to 145 (-0.9 to 10)   | Extended, push only | 24V DC 1.2W   |
| VS26S522DF518A | 5/2      | Sol/Sol    | External     | 29 to 145 (2 to 10)      | 26" Hg to 145 (-0.9 to 10)   | Extended, push only | 115V AC 1.5VA |
| VS26S517DF313A | 5/2      | Sol/Spring | Internal     | -                        | 29 to 145 (2 to 10)          | Push only           | 24V DC 1.2W   |
| VS26S517DF318A | 5/2      | Sol/Spring | Internal     | -                        | 29 to 145 (2 to 10)          | Push only           | 115V AC 1.5VA |
| VS26S517DF213A | 5/2      | Sol/Spring | Internal     | -                        | 29 to 145 (2 to 10)          | Push & turn         | 24V DC 1.2W   |
| VS26S517DF218A | 5/2      | Sol/Spring | Internal     | -                        | 29 to 145 (2 to 10)          | Push & turn         | 115V AC 1.5VA |
| VS26S517DF513A | 5/2      | Sol/Spring | Internal     | -                        | 29 to 145 (2 to 10)          | Extended, push only | 24V DC 1.2W   |
| VS26S517DF518A | 5/2      | Sol/Spring | Internal     | -                        | 29 to 145 (2 to 10)          | Extended, push only | 115V AC 1.5VA |
| VS26S527DF313A | 5/2      | Sol/Spring | External     | 29 to 145 (2 to 10)      | 26" Hg to 145 (-0.9 to 10)   | Push only           | 24V DC 1.2W   |
| VS26S527DF318A | 5/2      | Sol/Spring | External     | 29 to 145 (2 to 10)      | 26" Hg to 145 (-0.9 to 10)   | Push only           | 115V AC 1.5VA |
| VS26S527DF213A | 5/2      | Sol/Spring | External     | 29 to 145 (2 to 10)      | 26" Hg to 145 (-0.9 to 10)   | Push & turn         | 24V DC 1.2W   |
| VS26S527DF218A | 5/2      | Sol/Spring | External     | 29 to 145 (2 to 10)      | 26" Hg to 145 (-0.9 to 10)   | Push & turn         | 115V AC 1.5VA |
| VS26S527DF513A | 5/2      | Sol/Spring | External     | 29 to 145 (2 to 10)      | 26" Hg to 145 (-0.9 to 10)   | Extended, push only | 24V DC 1.2W   |
| VS26S527DF518A | 5/2      | Sol/Spring | External     | 29 to 145 (2 to 10)      | 26" Hg to 145 (-0.9 to 10)   | Extended, push only | 115V AC 1.5VA |

## Valve Islands VS26 Series Plug-in Mini ISO Valves

2x3/2, 5/2 and 5/3 valves, ISO 15407-2, Size 26 mm

### 5/3 Double solenoid actuated Glandless valves flow = 1.02 sscfm (1000 L/min)

| Model          | Function | Actuation | Pilot supply | Pilot pressure psi (bar) | Operating pressure psi (bar) | Manual override     | Voltage       |
|----------------|----------|-----------|--------------|--------------------------|------------------------------|---------------------|---------------|
| VS26G611DF313A | APB      | Sol/Sol   | Internal     | -                        | 29 to 145 (2 to 10)          | Push only           | 24V DC 1.2W   |
| VS26G611DF318A | APB      | Sol/Sol   | Internal     | -                        | 29 to 145 (2 to 10)          | Push only           | 115V AC 1.5VA |
| VS26G611DF213A | APB      | Sol/Sol   | Internal     | -                        | 29 to 145 (2 to 10)          | Push & turn         | 24V DC 1.2W   |
| VS26G611DF218A | APB      | Sol/Sol   | Internal     | -                        | 29 to 145 (2 to 10)          | Push & turn         | 115V AC 1.5VA |
| VS26G611DF513A | APB      | Sol/Sol   | Internal     | -                        | 29 to 145 (2 to 10)          | Extended, push only | 24V DC 1.2W   |
| VS26G611DF518A | APB      | Sol/Sol   | Internal     | -                        | 29 to 145 (2 to 10)          | Extended, push only | 115V AC 1.5VA |
| VS26G622DF313A | APB      | Sol/Sol   | External     | 29 to 145 (2 to 10)      | 26" Hg to 232 (-0.9 to 16)   | Push only           | 24V DC 1.2W   |
| VS26G622DF318A | APB      | Sol/Sol   | External     | 29 to 145 (2 to 10)      | 26" Hg to 232 (-0.9 to 16)   | Push only           | 115V AC 1.5VA |
| VS26G622DF213A | APB      | Sol/Sol   | External     | 29 to 145 (2 to 10)      | 26" Hg to 232 (-0.9 to 16)   | Push & turn         | 24V DC 1.2W   |
| VS26G622DF218A | APB      | Sol/Sol   | External     | 29 to 145 (2 to 10)      | 26" Hg to 232 (-0.9 to 16)   | Push & turn         | 115V AC 1.5VA |
| VS26G622DF513A | APB      | Sol/Sol   | External     | 29 to 145 (2 to 10)      | 26" Hg to 232 (-0.9 to 16)   | Extended, push only | 24V DC 1.2W   |
| VS26G622DF518A | APB      | Sol/Sol   | External     | 29 to 145 (2 to 10)      | 26" Hg to 232 (-0.9 to 16)   | Extended, push only | 115V AC 1.5VA |
| VS26G711DF313A | COE      | Sol/Sol   | Internal     | -                        | 29 to 145 (2 to 10)          | Push only           | 24V DC 1.2W   |
| VS26G711DF318A | COE      | Sol/Sol   | Internal     | -                        | 29 to 145 (2 to 10)          | Push only           | 115V AC 1.5VA |
| VS26G711DF213A | COE      | Sol/Sol   | Internal     | -                        | 29 to 145 (2 to 10)          | Push & turn         | 24V DC 1.2W   |
| VS26G711DF218A | COE      | Sol/Sol   | Internal     | -                        | 29 to 145 (2 to 10)          | Push & turn         | 115V AC 1.5VA |
| VS26G711DF513A | COE      | Sol/Sol   | Internal     | -                        | 29 to 145 (2 to 10)          | Extended, push only | 24V DC 1.2W   |
| VS26G711DF518A | COE      | Sol/Sol   | Internal     | -                        | 29 to 145 (2 to 10)          | Extended, push only | 115V AC 1.5VA |
| VS26G722DF313A | COE      | Sol/Sol   | External     | 29 to 145 (2 to 10)      | 26" Hg to 232 (-0.9 to 16)   | Push only           | 24V DC 1.2W   |
| VS26G722DF318A | COE      | Sol/Sol   | External     | 29 to 145 (2 to 10)      | 26" Hg to 232 (-0.9 to 16)   | Push only           | 115V AC 1.5VA |
| VS26G722DF213A | COE      | Sol/Sol   | External     | 29 to 145 (2 to 10)      | 26" Hg to 232 (-0.9 to 16)   | Push & turn         | 24V DC 1.2W   |
| VS26G722DF218A | COE      | Sol/Sol   | External     | 29 to 145 (2 to 10)      | 26" Hg to 232 (-0.9 to 16)   | Push & turn         | 115V AC 1.5VA |
| VS26G722DF513A | COE      | Sol/Sol   | External     | 29 to 145 (2 to 10)      | 26" Hg to 232 (-0.9 to 16)   | Extended, push only | 24V DC 1.2W   |
| VS26G722DF518A | COE      | Sol/Sol   | External     | 29 to 145 (2 to 10)      | 26" Hg to 232 (-0.9 to 16)   | Extended, push only | 115V AC 1.5VA |

### 5/3 Double solenoid actuated Softseal valves flow = 1.37 Cv (1350 L/min)

| Model          | Function | Actuation | Pilot supply | Pilot pressure psi (bar) | Operating pressure psi (bar) | Manual override     | Voltage       |
|----------------|----------|-----------|--------------|--------------------------|------------------------------|---------------------|---------------|
| VS26S611DF313A | APB      | Sol/Sol   | Internal     | -                        | 36 to 145 (2.5 to 10)        | Push only           | 24V DC 1.2W   |
| VS26S611DF318A | APB      | Sol/Sol   | Internal     | -                        | 36 to 145 (2.5 to 10)        | Push only           | 115V AC 1.5VA |
| VS26S611DF213A | APB      | Sol/Sol   | Internal     | -                        | 36 to 145 (2.5 to 10)        | Push & turn         | 24V DC 1.2W   |
| VS26S611DF218A | APB      | Sol/Sol   | Internal     | -                        | 36 to 145 (2.5 to 10)        | Push & turn         | 115V AC 1.5VA |
| VS26S611DF513A | APB      | Sol/Sol   | Internal     | -                        | 36 to 145 (2.5 to 10)        | Extended, push only | 24V DC 1.2W   |
| VS26S611DF518A | APB      | Sol/Sol   | Internal     | -                        | 36 to 145 (2.5 to 10)        | Extended, push only | 115V AC 1.5VA |
| VS26S622DF313A | APB      | Sol/Sol   | External     | 36 to 145 (2.5 to 10)    | 26" Hg to 145 (-0.9 to 10)   | Push only           | 24V DC 1.2W   |
| VS26S622DF318A | APB      | Sol/Sol   | External     | 36 to 145 (2.5 to 10)    | 26" Hg to 145 (-0.9 to 10)   | Push only           | 115V AC 1.5VA |
| VS26S622DF213A | APB      | Sol/Sol   | External     | 36 to 145 (2.5 to 10)    | 26" Hg to 145 (-0.9 to 10)   | Push & turn         | 24V DC 1.2W   |
| VS26S622DF218A | APB      | Sol/Sol   | External     | 36 to 145 (2.5 to 10)    | 26" Hg to 145 (-0.9 to 10)   | Push & turn         | 115V AC 1.5VA |
| VS26S622DF513A | APB      | Sol/Sol   | External     | 36 to 145 (2.5 to 10)    | 26" Hg to 145 (-0.9 to 10)   | Extended, push only | 24V DC 1.2W   |
| VS26S622DF518A | APB      | Sol/Sol   | External     | 36 to 145 (2.5 to 10)    | 26" Hg to 145 (-0.9 to 10)   | Extended, push only | 115V AC 1.5VA |
| VS26S711DF313A | COE      | Sol/Sol   | Internal     | -                        | 36 to 145 (2.5 to 10)        | Push only           | 24V DC 1.2W   |
| VS26S711DF318A | COE      | Sol/Sol   | Internal     | -                        | 36 to 145 (2.5 to 10)        | Push only           | 115V AC 1.5VA |
| VS26S711DF213A | COE      | Sol/Sol   | Internal     | -                        | 36 to 145 (2.5 to 10)        | Push & turn         | 24V DC 1.2W   |
| VS26S711DF218A | COE      | Sol/Sol   | Internal     | -                        | 36 to 145 (2.5 to 10)        | Push & turn         | 115V AC 1.5VA |
| VS26S711DF513A | COE      | Sol/Sol   | Internal     | -                        | 36 to 145 (2.5 to 10)        | Extended, push only | 24V DC 1.2W   |
| VS26S711DF518A | COE      | Sol/Sol   | Internal     | -                        | 36 to 145 (2.5 to 10)        | Extended, push only | 115V AC 1.5VA |
| VS26S722DF313A | COE      | Sol/Sol   | External     | 36 to 145 (2.5 to 10)    | 26" Hg to 145 (-0.9 to 10)   | Push only           | 24V DC 1.2W   |
| VS26S722DF318A | COE      | Sol/Sol   | External     | 36 to 145 (2.5 to 10)    | 26" Hg to 145 (-0.9 to 10)   | Push only           | 115V AC 1.5VA |
| VS26S722DF213A | COE      | Sol/Sol   | External     | 36 to 145 (2.5 to 10)    | 26" Hg to 145 (-0.9 to 10)   | Push & turn         | 24V DC 1.2W   |
| VS26S722DF218A | COE      | Sol/Sol   | External     | 36 to 145 (2.5 to 10)    | 26" Hg to 145 (-0.9 to 10)   | Push & turn         | 115V AC 1.5VA |
| VS26S722DF513A | COE      | Sol/Sol   | External     | 36 to 145 (2.5 to 10)    | 26" Hg to 145 (-0.9 to 10)   | Extended, push only | 24V DC 1.2W   |
| VS26S722DF518A | COE      | Sol/Sol   | External     | 36 to 145 (2.5 to 10)    | 26" Hg to 145 (-0.9 to 10)   | Extended, push only | 115V AC 1.5VA |

# Valve Islands VS26 Series Plug-in Mini ISO Valves

## Valve part no. breakdown

VS26\*\*\*\*DF\*\*\*A

| Spool technology         | Substitute |
|--------------------------|------------|
| Glandless spool & sleeve | G          |
| Softseal spool           | S          |

| Guiding systems                        | Substitute |
|--|------------|
| 2x3/2 Normally closed 1)               | A          |
| 2x3/2 Normally open 1)                 | B          |
| 2x3/2 Normally open/Normally closed 1) | C          |
| 5/2                                    | 5          |
| 5/3 All ports blocked                  | 6          |
| 5/3 Center open exhaust                | 7          |

1) Available with softseal spool only

### Electrical details for solenoid operators

|                    |                                  |
|--------------------|----------------------------------|
| Voltage tolerances | (24V DC) +/- 10%                 |
| Voltage tolerances | (115V AC) +15%/-10%              |
| Rating             | 100 % Continuous duty            |
| Inlet orifice      | 0.8 mm                           |
| Indication         | LED green                        |
| Surge suppression  | Transil diode                    |
| Materials          | PPS (body), Viton and NBR (seal) |

| Voltage       | Substitute |
|---------------|------------|
| 24V DC 1.2W   | 13         |
| 115V AC 1.5VA | 18         |

| Manual override     | Substitute |
|---------------------|------------|
| Push & turn         | 2          |
| Push only           | 3          |
| Extended, push only | 5          |

| Actuation/Pilot supply                        | Substitute |
|---|------------|
| Solenoid/Spring                               | 17         |
| Internal pilot supply                         |            |
| Solenoid/Spring                               | 27         |
| External pilot supply                         |            |
| Solenoid/Solenoid                             | 11         |
| Internal pilot supply                         |            |
| Solenoid/Solenoid                             | 22         |
| External pilot supply                         |            |
| Solenoid priority side 14/Solenoid (5/2 only) | 91         |
| Internal pilot supply 2)                      |            |
| Solenoid priority side 14/Solenoid (5/2 only) | 92         |
| External pilot supply 2)                      |            |

2) Available with glandless spool & sleeve only

### Protection classification (IP Code)

All VS26 valve islands fulfill IP65 and NEMA4 ratings.

### PELV (Electrical protection class III)

All VS26 24V DC products are designed to be used with a protective extra low voltage (PELV) power supply.

### UL approval

UL approval for Multipole and Fieldbus valve islands ongoing.  
Please contact customer service for detailed information.

### ATEX

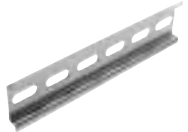




ATEX category 3 approval for 24V DC Multipole and Fieldbus valve islands ongoing.  
Please contact customer service for detailed information.



# Valve Islands VS26 Series Plug-in Mini ISO Valves



2x3/2, 5/2 and 5/3 valves, ISO 15407-2, Size 26 mm

## Accessories





| DIN EN 50 022 rail 3 ft (1 meter)   | DIN-rail mounting kit   | Blanking disc to modular sub-base   | Manual override set-up kit   | Spare valve identification labels <sup>1)</sup>                                     |
|---|---|---|--|---|
|  |  |  |  |  |
| V10009-C00 35 x 7.5 mm<br>V10592-C01 35 x 15 mm                                   | V70531-KA0  | V70522-K00 (Ports 1, 3, 5)<br>V70523-K00 (Ports 12/14)                            | VS2672906-KG00   | VS2672905-KG00 (10 pcs)   |

<sup>1)</sup> When purchasing assembled valve islands from Norgren, valve identification labels are already included.





## Base accessories

| Intermediate supply/exhaust module   | Blanking plate   |
|--|--|
|  |  |
| VS2672902-RG00 (NPTF1/4)<br>VS2672902-BG00 (G1/4)                                  | VS2672904-KG00   |

## Sandwich plates

| Single pressure regulator   | Double pressure regulator plate   | Flow control plate   | Single valve shut-off plate   |
|---|---|--|---|
|  |  |  |  |
| VS2672900-KG10 (port 1)<br>VS2672900-KG20 (port 2)<br>VS2672900-KG30 (port 4)       | VS2672900-KG40 (port 2+4)   | VS2672901-KG00   | VS2672903-KG00  |

## Sub-bases and end plates

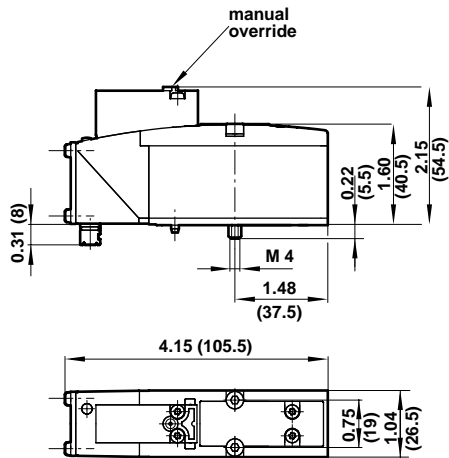
| Single station sub-base   | Double station modular sub-base   | Single station modular sub-base  | End plate kit   |
|---|---|--|---|
|  |  |  |  |

# Valve Islands VS26 Series Plug-in Mini ISO Valves

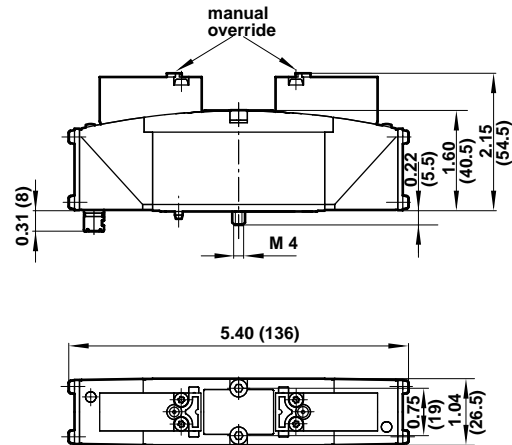
Dimensions in inches (mm)

## Valve dimensions

VS26\*5\*7DF\*1\*A models  
5/2 Single solenoid pilot valve  
Mechanical spring return



VS26\*\*\*\*DF\*1\*A models  
2x3/2, 5/2 and 5/3 Double solenoid pilot valve



# Valve Islands VS26 Series Plug-in Mini ISO Valves

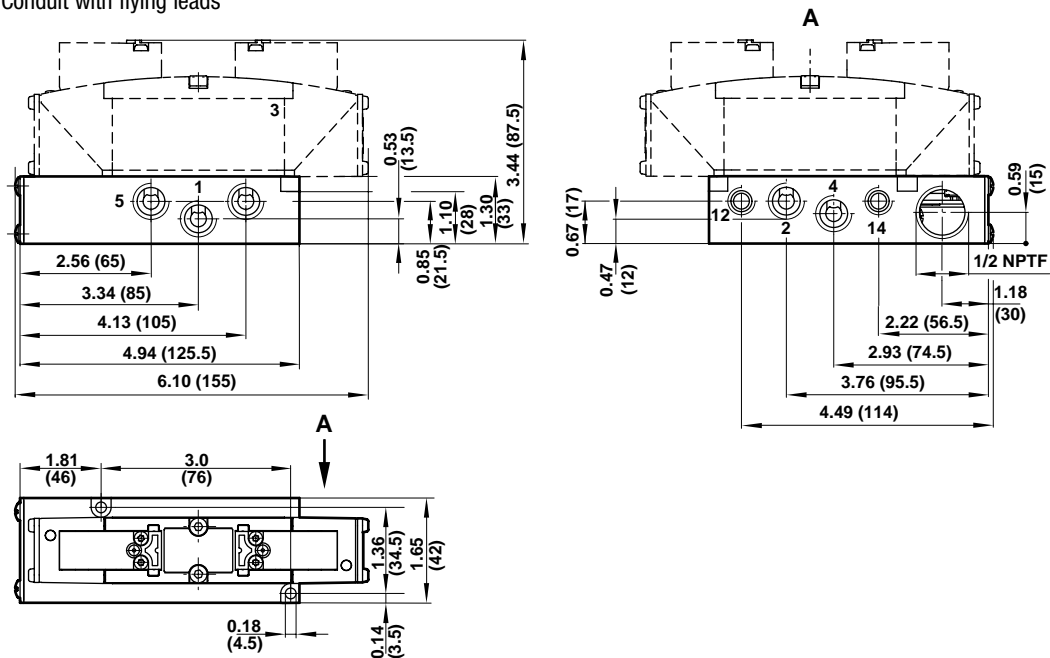
2x3/2, 5/2 and 5/3 valves, ISO 15407-2, Size 26 mm

Dimensions in inches (mm)

## Single station sub-base

| Model          | Description                                    | Ports 1, 3 & 5 | Ports 12/14 & 82/84 | Ports 2 & 4 | Connector type  |
|----------------|--|----------------|---------------------|-------------|-----------------|
| VS2672510-RG00 | Single station sub-base for 24V DC             | NPTF1/4        | NPTF1/8             | NPTF1/4     | M12             |
| VS2672511-RG00 | Single station sub-base for 24V DC and 115V AC | NPTF1/4        | NPTF1/8             | NPTF1/4     | NPTF1/2 conduit |
| VS2672510-BG00 | Single station sub-base for 24V DC             | G1/4           | G1/8                | G1/4        | M12             |

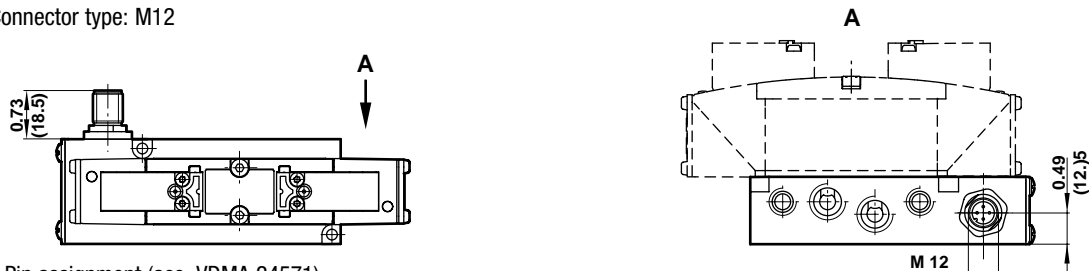
Connector type: NPTF1/2 Conduit with flying leads



## Wiring information

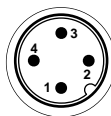
| Wire color | Function                      |
|------------|-------------------------------|
| Green      | Earth                         |
| Yellow     | Signal for solenoid 12        |
| Black      | Common for solenoid 12 and 14 |
| Red        | Signal for solenoid 14        |

Connector type: M12



Pin assignment (acc. VDMA 24571)

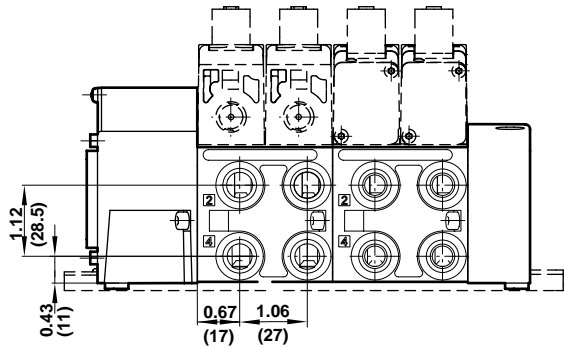
| Pin no. | Function                      |
|---------|-------------------------------|
| 1       | not used                      |
| 2       | Signal for solenoid 12        |
| 3       | Common for solenoid 12 and 14 |
| 4       | Signal for solenoid 14        |



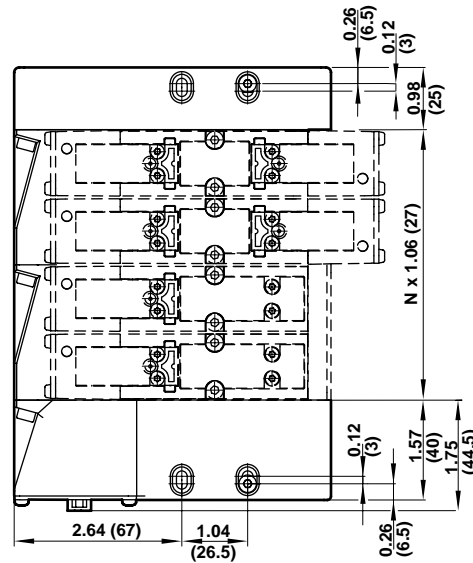
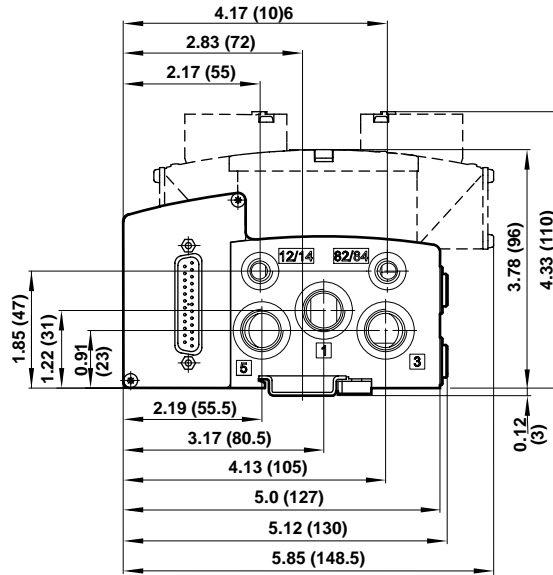


# Valve Islands VS26 Series Plug-in Mini ISO Valves

Valve islands dimensions



Dimensions in inches (mm)



**N** Number of station

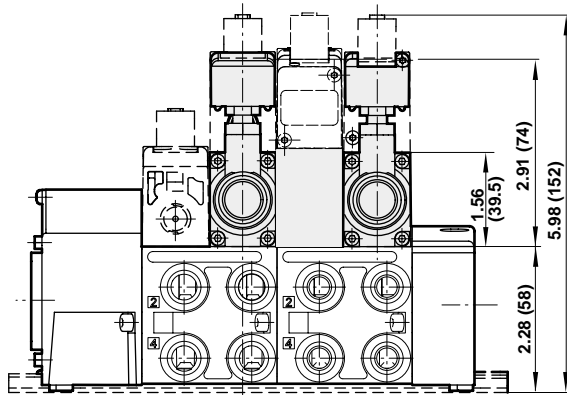
| Electrical connection    | Min. no of valve stations | Max. no. of valve stations |
|--------------------------|---------------------------|----------------------------|
| Multipole                | 2                         | 16                         |
| AS-Interface             | 2                         | 8                          |
| Other Fieldbus protocols | 4                         | 16                         |

# Valve Islands VS26 Series Plug-in Mini ISO Valves

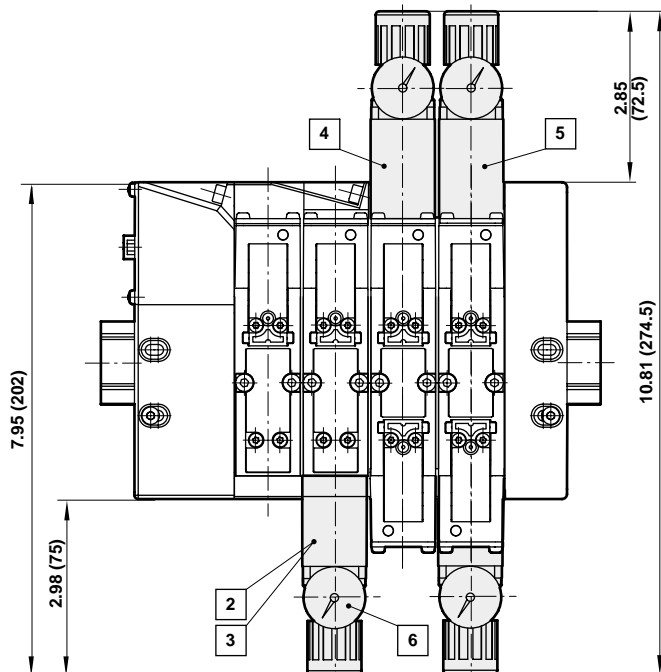
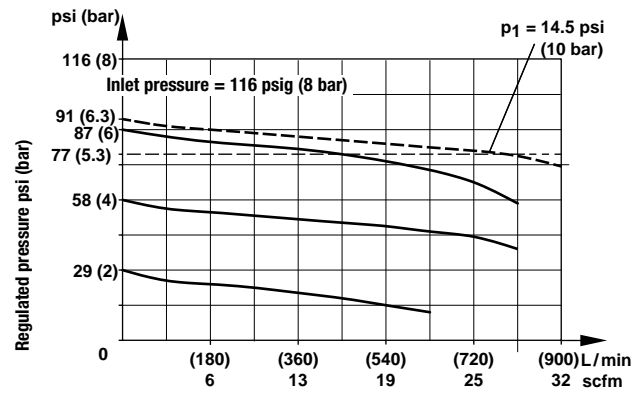
2x3/2, 5/2 and 5/3 valves, ISO 15407-2, Size 26 mm

## Pressure regulator sandwich plates

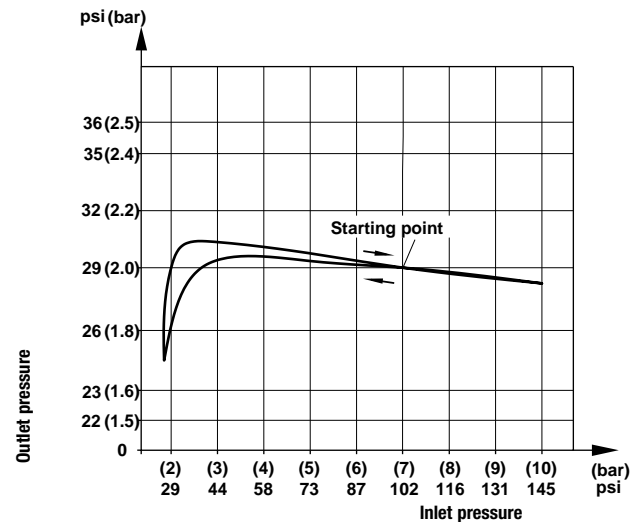
| Symbol | Model          | Description                                | Symbol | Model          | Description                                |
|--------|----------------|--|--------|----------------|--|
|        | VS2672900-KG10 | Regulation of port 1, regulator on side 12 |        | VS2672900-KG30 | Regulation of port 4, regulator on side 14 |
|        | VS2672900-KG20 | Regulation of port 2, regulator on side 12 |        | VS2672900-KG40 | Regulation of port 2+4                     |



Flow characteristics for pressure regulator plates



Hysteresis



Spare part number for gauge = V70534-500

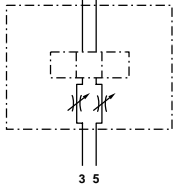
- 2 Regulation of port 1
- 3 Regulation of port 2
- 4 Regulation of port 4
- 5 Regulation of port 2+4
- 6 Gauge

# Valve Islands VS26 Series Plug-in Mini ISO Valves

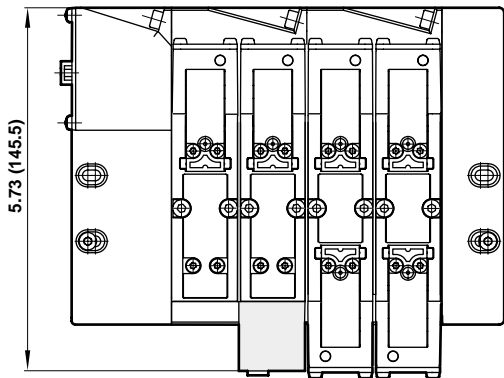
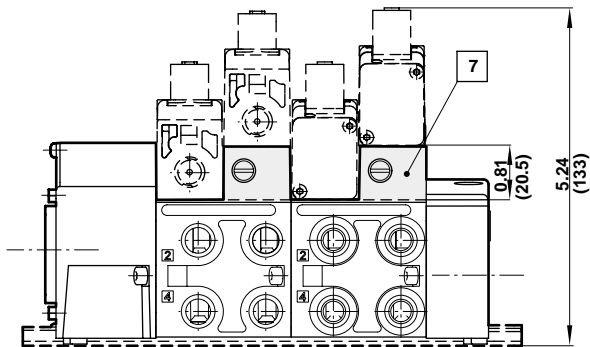
## Sandwich plates

### Flow control sandwich plate

| Symbol | Model | Description |
|--------|-------|-------------|
|--------|-------|-------------|

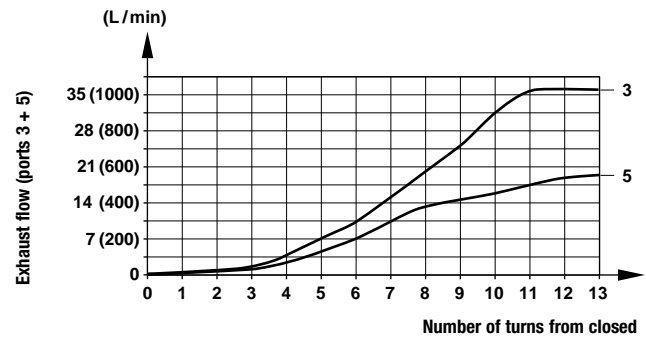


VS2672901-KG00 Flow control supplied with gasket, dual regulation of exhaust ports 3 and 5



7 Flow regulator plate

### Flow characteristics Dual regulation of exhaust ports 3 and 5



Flow: port 1-2 and 1-4: remains unchanged.  
Flow measured at 87 psi (6 bar) inlet, pressure drop 14.5 psi (1 bar)

# Valve Islands VS26 Series Plug-in Mini ISO Valves

2x3/2, 5/2 and 5/3 valves, ISO 15407-2, Size 26 mm

## Single valve shut-off plate

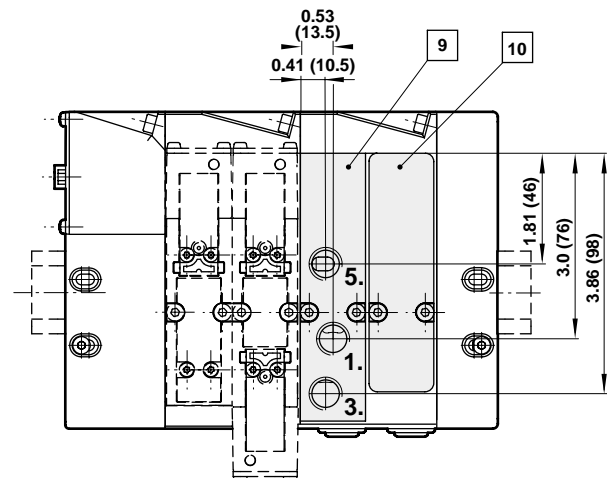
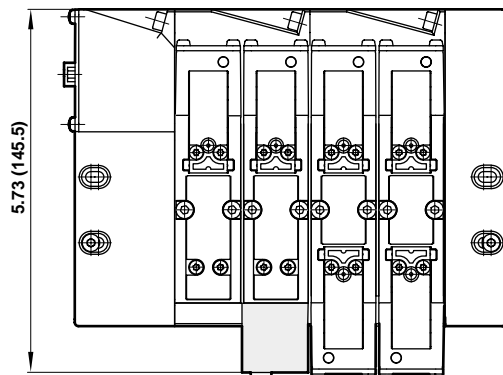
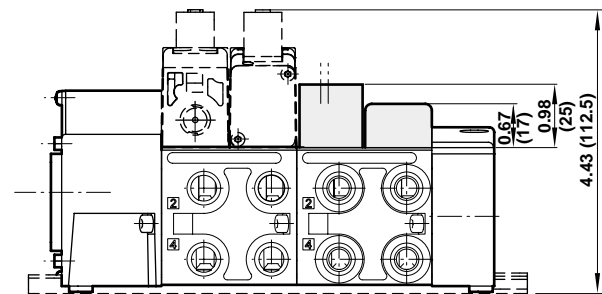
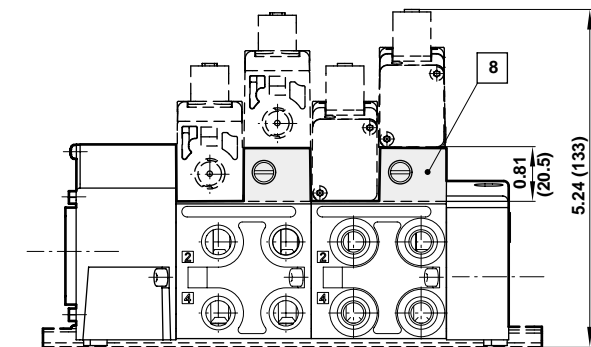
| Symbol | Model          | Description                                      |
|--------|----------------|--|
|        | VS2672903-KG00 | Single valve shut-off plate supplied with gasket |

Allows individual exchange of valve while valve island is pressurised by port 1.

Flow restricted to max. Cv 0.56 (550 L/min.)

## Base accessories

| Model          | Description   |
|----------------|---|
| VS2672904-KG00 | Blanking plate for blocking of unused stations (supplied with gasket) |
| VS2672902-RG00 | Intermediate supply/exhaust module, port size NPTF 1/4                |
| VS2672902-BG00 | Intermediate supply/exhaust module, port size G1/4                    |



|    |                                    |
|----|------------------------------------|
| 8  | Single valve shut-off plate        |
| 9  | Intermediate supply/exhaust module |
| 10 | Blanking plate                     |

# Valves

## Multi pressure configurations

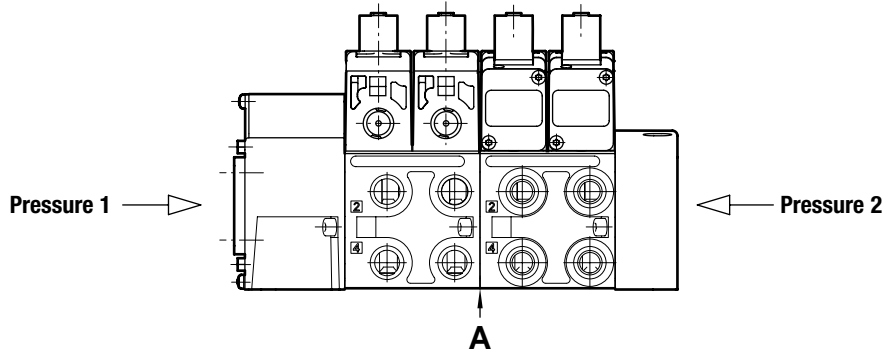
**A**

| Blanking disc | Type                         |
|---------------|------------------------------|
| V70522-K00    | Suitable for ports 1, 3 or 5 |

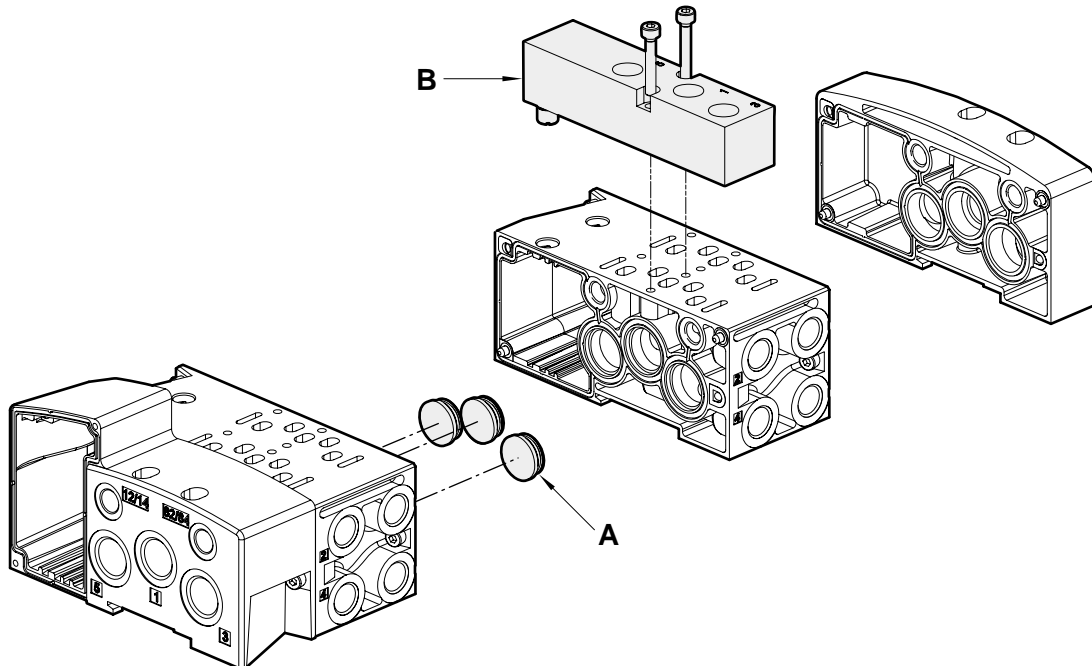
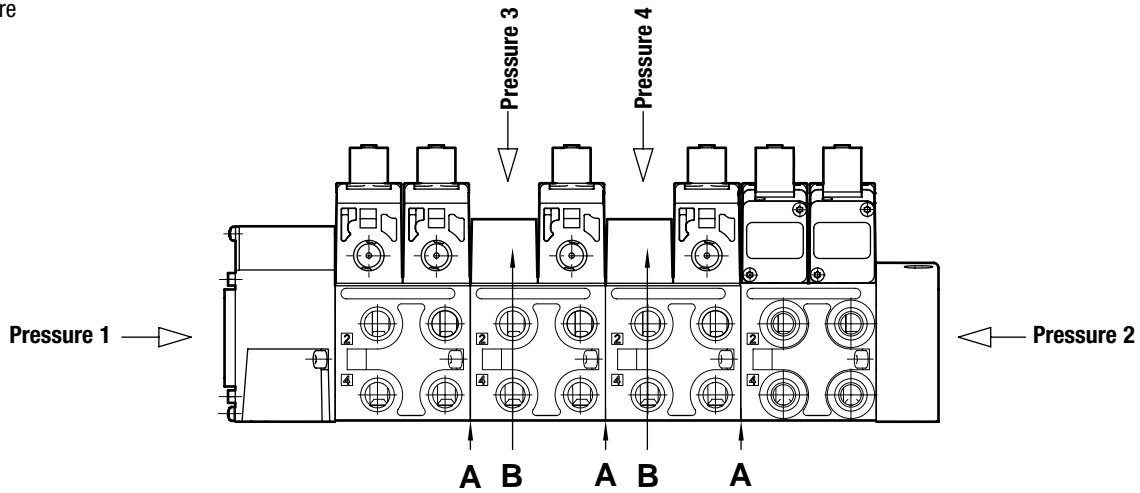
**B**

| Intermediate supply/exhaust module | Type    |
|------------------------------------|---------|
| VS2672902-RG00A                    | NPTF1/4 |
| VS2672902-BG00A                    | G1/4    |

Dual pressure



Multi pressure



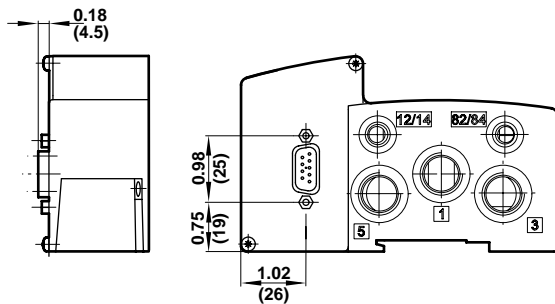
# Valve Islands VS26 Series Plug-in Mini ISO Valves

2x3/2, 5/2 and 5/3 valves, ISO 15407-2, Size 26 mm

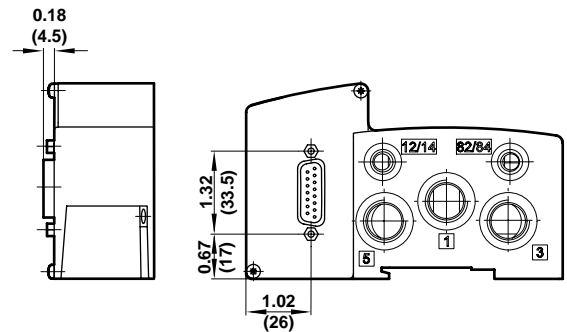
## Multipole options

| Connector type                     | Voltage         | No. of stations                  | Max. no. coils |
|------------------------------------|-----------------|----------------------------------|----------------|
| D-Sub 9-pin                        | 24V DC          | 02/03/04                         | 8              |
| D-Sub 15-pin                       | 24V DC          | 02/03/04/05/06/07                | 14             |
| D-Sub 25-pin                       | 24V DC          | 02/03/04/05/06/07/08/09/10/11/12 | 24             |
| D-Sub 44-pin                       | 24V DC          | 08/09/10/11/12/13/14/15/16       | 32             |
| NPTF1 Conduit entry with terminals | 115V AC, 24V DC | 02/03/04/05/06/07/08/09/10/11/12 | 24             |

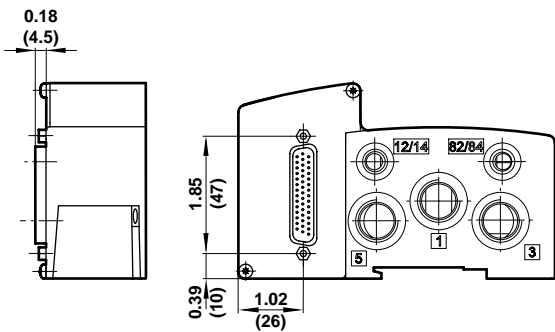
D-Sub 9-pin



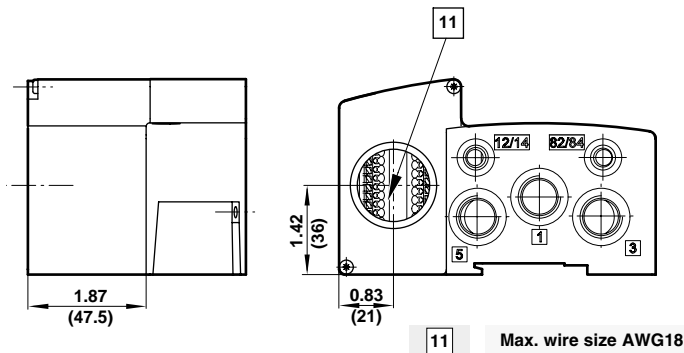
D-Sub 15-pin



D-Sub 25-pin / 44-pin



NPTF1 Conduit entry with terminals





# Valve Islands VS26 Series Plug-in Mini ISO Valves

## Multipole accessories

D-Sub connector 9-pin IP65 <sup>1)</sup>



|                |          |
|----------------|----------|
| VS2672910-KG00 | 3' (1m)  |
| VS2672911-KG00 | 10' (3m) |
| VS2672912-KG00 | 16' (5m) |

D-Sub connector 15-pin IP65 <sup>1)</sup>



|                |          |
|----------------|----------|
| VS2672915-KG00 | 3' (1m)  |
| VS2672916-KG00 | 10' (3m) |
| VS2672917-KG00 | 16' (5m) |

D-Sub connector 25-pin IP65 <sup>1)</sup>



|            |          |
|------------|----------|
| V11569-E01 | 3' (1m)  |
| V11569-E03 | 10' (3m) |
| V11569-E05 | 16' (5m) |

D-Sub connector 44-pin IP65 <sup>1)</sup>



|            |          |
|------------|----------|
| V11570-E01 | 3' (1m)  |
| V11570-E03 | 10' (3m) |
| V11570-E05 | 16' (5m) |

<sup>1)</sup> Required for ATEX



### D-Sub connector 9-pin<sup>1)</sup>

| Pin no. | Wire colour | Socket       | Pilot | Station |
|---------|-------------|--------------|-------|---------|
| 1       | White       | Solenoid 1-a | 14    | 1       |
| 2       | Brown       | Solenoid 2-a | 14    | 2       |
| 3       | Green       | Solenoid 3-a | 14    | 3       |
| 4       | Yellow      | Solenoid 4-a | 14    | 4       |
| 5       | Grey        | Solenoid 1-b | 12    | 1       |
| 6       | Pink        | Solenoid 2-b | 12    | 2       |
| 7       | Blue        | Solenoid 3-b | 12    | 3       |
| 8       | Red         | Solenoid 4-b | 12    | 4       |
| 9       | Black       | Common       | -     | -       |

### D-Sub connector 25-pin<sup>1)</sup>

| Pin no. | Wire color   | Socket        | Pilot | Station |
|---------|--------------|---------------|-------|---------|
| 1       | White        | Solenoid 1-a  | 14    | 1       |
| 2       | Brown        | Solenoid 2-a  | 14    | 2       |
| 3       | Green        | Solenoid 3-a  | 14    | 3       |
| 4       | Yellow       | Solenoid 4-a  | 14    | 4       |
| 5       | Grey         | Solenoid 5-a  | 14    | 5       |
| 6       | Pink         | Solenoid 6-a  | 14    | 6       |
| 7       | Blue         | Solenoid 7-a  | 14    | 7       |
| 8       | Red          | Solenoid 8-a  | 14    | 8       |
| 9       | Black        | Solenoid 9-a  | 14    | 9       |
| 10      | Violet       | Solenoid 10-a | 14    | 10      |
| 11      | Grey/Pink    | Solenoid 11-a | 14    | 11      |
| 12      | Red/Blue     | Solenoid 12-a | 14    | 12      |
| 13      | White/Green  | Common        | -     | -       |
| 14      | Brown/Green  | Solenoid 1-b  | 12    | 1       |
| 15      | White/Yellow | Solenoid 2-b  | 12    | 2       |
| 16      | Yellow/Brown | Solenoid 3-b  | 12    | 3       |
| 17      | White/Grey   | Solenoid 4-b  | 12    | 4       |
| 18      | Grey/Brown   | Solenoid 5-b  | 12    | 5       |
| 19      | White/Pink   | Solenoid 6-b  | 12    | 6       |
| 20      | Pink/Brown   | Solenoid 7-b  | 12    | 7       |
| 21      | White/Blue   | Solenoid 8-b  | 12    | 8       |
| 22      | Brown/Blue   | Solenoid 9-b  | 12    | 9       |
| 23      | White/Red    | Solenoid 10-b | 12    | 10      |
| 24      | Brown/Red    | Solenoid 11-b | 12    | 11      |
| 25      | White/Black  | Solenoid 12-b | 12    | 12      |

### D-Sub connector 15-pin<sup>1)</sup>

| Pin no. | Wire color   | Socket       | Pilot | Station |
|---------|--------------|--------------|-------|---------|
| 1       | White        | Solenoid 1-a | 14    | 1       |
| 2       | Brown        | Solenoid 2-a | 14    | 2       |
| 3       | Green        | Solenoid 3-a | 14    | 3       |
| 4       | Yellow       | Solenoid 4-a | 14    | 4       |
| 5       | Grey         | Solenoid 5-a | 14    | 5       |
| 6       | Pink         | Solenoid 6-a | 14    | 6       |
| 7       | Blue         | Solenoid 7-a | 14    | 7       |
| 8       | Red          | Solenoid 1-b | 12    | 1       |
| 9       | Black        | Solenoid 2-b | 12    | 2       |
| 10      | Violet       | Solenoid 3-b | 12    | 3       |
| 11      | Grey/Pink    | Solenoid 4-b | 12    | 4       |
| 12      | Red/Blue     | Solenoid 5-b | 12    | 5       |
| 13      | White/Green  | Solenoid 6-b | 12    | 6       |
| 14      | Brown/Green  | Solenoid 7-b | 12    | 7       |
| 15      | White/Yellow | Common       | -     | -       |

<sup>1)</sup> According to DIN 47100

## Valve Islands VS26 Series Plug-in Mini ISO Valves

2x3/2, 5/2 and 5/3 valves, ISO 15407-2, Size 26 mm

### D-Sub connector 44-pin<sup>1)</sup>

| Pin no. | Wire color   | Socket        | Pilot | Station |
|---------|--------------|---------------|-------|---------|
| 1       | White        | Solenoid 1-a  | 14    | 1       |
| 2       | Brown        | Solenoid 2-a  | 14    | 2       |
| 3       | Green        | Solenoid 3-a  | 14    | 3       |
| 4       | Yellow       | Solenoid 4-a  | 14    | 4       |
| 5       | Grey         | Solenoid 5-a  | 14    | 5       |
| 6       | Pink         | Solenoid 6-a  | 14    | 6       |
| 7       | Blue         | Solenoid 7-a  | 14    | 7       |
| 8       | Red          | Solenoid 8-a  | 14    | 8       |
| 9       | Black        | Solenoid 9-a  | 14    | 9       |
| 10      | Violet       | Solenoid 10-a | 14    | 10      |
| 11      | Grey/Pink    | Solenoid 11-a | 14    | 11      |
| 12      | Red/Blue     | Solenoid 12-a | 14    | 12      |
| 13      | White/Green  | Solenoid 13-a | 14    | 13      |
| 14      | Brown/Green  | Solenoid 14-a | 14    | 14      |
| 15      | White/Yellow | Solenoid 15-a | 14    | 15      |
| 16      | Yellow/Brown | Solenoid 1-b  | 12    | 1       |
| 17      | White/Grey   | Solenoid 2-b  | 12    | 2       |
| 18      | Grey/Brown   | Solenoid 3-b  | 12    | 3       |
| 19      | White/Pink   | Solenoid 4-b  | 12    | 4       |
| 20      | Pink/Brown   | Solenoid 5-b  | 12    | 5       |
| 21      | White/Blue   | Solenoid 6-b  | 12    | 6       |
| 22      | Brown/Blue   | Solenoid 7-b  | 12    | 7       |
| 23      | White/Red    | Solenoid 8-b  | 12    | 8       |
| 24      | Brown/Red    | Solenoid 9-b  | 12    | 9       |
| 25      | White/Black  | Solenoid 10-b | 12    | 10      |
| 26      | Brown/Black  | Solenoid 11-b | 12    | 11      |
| 27      | Grey/Green   | Solenoid 12-b | 12    | 12      |
| 28      | Yellow/Grey  | Solenoid 13-b | 12    | 13      |
| 29      | Pink/Green   | Solenoid 14-b | 12    | 14      |
| 30      | Yellow/Pink  | Solenoid 15-b | 12    | 15      |
| 31      | Green/Blue   | Solenoid 16-a | 14    | 16      |
| 32      | Yellow/Blue  | Solenoid 16-b | 12    | 16      |
| 33      | Green/Red    | NOT USED      | -     | -       |
| 34      | Yellow/Red   | NOT USED      | -     | -       |
| 35      | Green/Black  | NOT USED      | -     | -       |
| 36      | Yellow/Black | NOT USED      | -     | -       |
| 37      | Grey/Blue    | NOT USED      | -     | -       |
| 38      | Pink/Blue    | NOT USED      | -     | -       |
| 39      | Grey/Red     | NOT USED      | -     | -       |
| 40      | Pink/Red     | NOT USED      | -     | -       |
| 41      | Grey/Black   | NOT USED      | -     | -       |
| 42      | Pink/Black   | NOT USED      | -     | -       |
| 43      | Blue/Black   | Common        | -     | -       |
| 44      | Red/Black    | Common        | -     | -       |

<sup>1)</sup> According to DIN 47100

### NPTF1 Conduit entry with terminals <sup>2)</sup>

| Clamp no. | Socket        | Pilot | Station |
|-----------|---------------|-------|---------|
| C1        | Solenoid 1-a  | 14    | 1       |
| C2        | Solenoid 2-a  | 14    | 2       |
| C3        | Solenoid 3-a  | 14    | 3       |
| C4        | Solenoid 4-a  | 14    | 4       |
| C5        | Solenoid 5-a  | 14    | 5       |
| C6        | Solenoid 6-a  | 14    | 6       |
| C7        | Solenoid 7-a  | 14    | 7       |
| C8        | Solenoid 8-a  | 14    | 8       |
| C9        | Solenoid 9-a  | 14    | 9       |
| C10       | Solenoid 10-a | 14    | 10      |
| C11       | Solenoid 11-a | 14    | 11      |
| C12       | Solenoid 12-a | 14    | 12      |
| C13       | Solenoid 1-b  | 12    | 1       |
| C14       | Solenoid 2-b  | 12    | 2       |
| C15       | Solenoid 3-b  | 12    | 3       |
| C16       | Solenoid 4-b  | 12    | 4       |
| C17       | Solenoid 5-b  | 12    | 5       |
| C18       | Solenoid 6-b  | 12    | 6       |
| C19       | Solenoid 7-b  | 12    | 7       |
| C20       | Solenoid 8-b  | 12    | 8       |
| C21       | Solenoid 9-b  | 12    | 9       |
| C22       | Solenoid 10-b | 12    | 10      |
| C23       | Solenoid 11-b | 12    | 11      |
| C24       | Solenoid 12-b | 12    | 12      |
| C25       | Common        | -     | -       |
| C26       | Common        | -     | -       |
| C27       | Earth         | -     | -       |
| C28       | Earth         | -     | -       |

<sup>2)</sup> Max. wire size AWG18



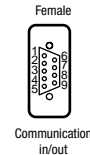
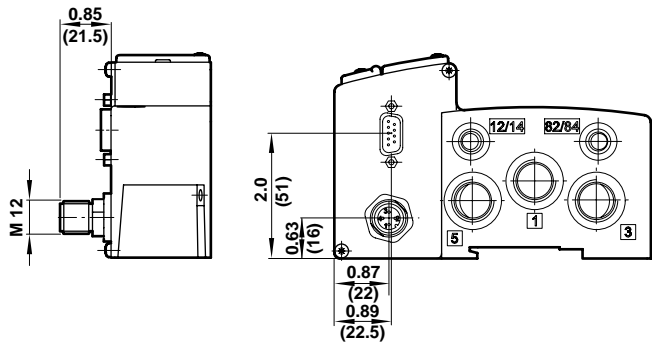
### Fieldbus options: Overview

| Fieldbus protocol           | Fieldbus interface/connector | Supply voltage connector (Fieldbus and valves) | No. of stations                        | Max. no. coils |
|-----------------------------|------------------------------|--|--|----------------|
| Profibus DP                 | 1 x D-Sub 9-pin              | M12 4-pin                                      | 04/05/06/07/08/09/10/11/12/13/14/15/16 | 32             |
|                             | 2 x M12 5-pin                | M12 4-pin                                      | 04/05/06/07/08/09/10/11/12/13/14/15/16 | 32             |
|                             | 2 x M12 5-pin                | 7/8 5-pin                                      | 04/05/06/07/08/09/10/11/12/13/14/15/16 | 32             |
| Interbus-S                  | 2 x D-Sub 9-pin              | M12 4-pin                                      | 04/05/06/07/08/09/10/11/12/13/14/15/16 | 32             |
| AS-Interface - Single slave | 1 x M12 4-pin                | M12 4-pin                                      | 02/03/04                               | 4              |
| AS-Interface - Double slave | 1 x M12 4-pin                | M12 4-pin                                      | 04/05/06/07/08                         | 8              |
| DeviceNet                   | 1 x M12 5-pin                | M12 4-pin                                      | 04/05/06/07/08/09/10/11/12/13/14/15/16 | 32             |
| CANopen                     | 1 x M12 5-pin                | M12 4-pin                                      | 04/05/06/07/08/09/10/11/12/13/14/15/16 | 32             |
| AB RIO                      | 2 x M12 5-pin                | M12 4-pin                                      | 04/05/06/07/08/09/10/11/12/13/14/15/16 | 32             |

For parts and assembly instructions of Fieldbus components, consult our technical service.

### Fieldbus protocol: Profibus DP

Connector: 1 x D-Sub 9-pin / M12 4-pin



#### Bus connector: D-Sub 9-pin

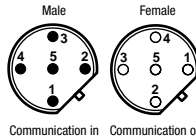
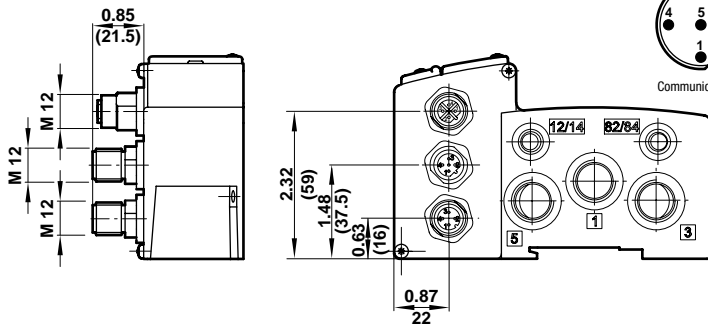
| Pin no. | Function                     |
|---------|------------------------------|
| 1       | Shield                       |
| 2       | N/C                          |
| 3       | B-line (red) Rx/D / Tx/D-P   |
| 4       | N/C                          |
| 5       | DGND (0V) isolated           |
| 6       | VP (5V) isolated             |
| 7       | N/C                          |
| 8       | A-line (green) Rx/D / Tx/D-N |
| 9       | N/C                          |

#### Power connector: M12 4-pin

| Pin no. | Function                   | Tolerance | Max. current |
|---------|----------------------------|-----------|--------------|
| 1       | 24 VB logic circuit supply | +/-25%    | 300 mA       |
| 2       | 24 VA valves               | +/-10%    | 1)           |
| 3       | 0 volts                    | -         | 2)           |
| 4       | Earth                      | -         | -            |



Connector: 2 x M12 5-pin / M12 4-pin

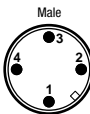


#### Bus connector: M12 5-pin (B-coded)

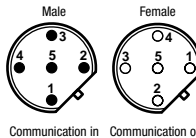
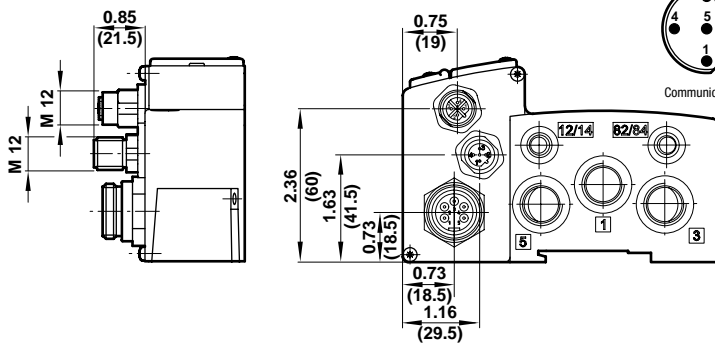
| Pin no.        | Function          |
|----------------|-------------------|
| 1              | 5VI opto isolated |
| 2              | A-line (green)    |
| 3              | OVI isolated      |
| 4              | B-line (red)      |
| 5              | Shield            |
| Threaded joint | Shield            |

#### Power connector: M12 4-pin

| Pin no. | Function                   | Tolerance | Max. current |
|---------|----------------------------|-----------|--------------|
| 1       | 24 VB logic circuit supply | +/-25%    | 300 mA       |
| 2       | 24 VA valves 1)            | +/-10%    |              |
| 3       | 0 volts 2)                 | -         |              |
| 4       | Earth                      | -         |              |



Connector: 2 x M12 5-pin / 7/8 5-pin

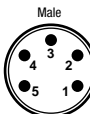


#### Bus connector: M12 5-pin (B-coded)

| Pin no.        | Function       |
|----------------|----------------|
| 1              | 5VI isolated   |
| 2              | A-line (green) |
| 3              | OVI isolated   |
| 4              | B-line (red)   |
| 5              | Shield         |
| Threaded joint | Shield         |

#### Power connector: 7/8 5-pin

| Pin no. | Function                   | Tolerance | Max. current |
|---------|----------------------------|-----------|--------------|
| 1       | -                          | -         | -            |
| 2       | 0 volts                    | -         | 2)           |
| 3       | Earth                      | -         | -            |
| 4       | 24 VA valves               | +/-10%    | 1)           |
| 5       | 24 VB logic circuit supply | +/-25%    | 300 mA       |



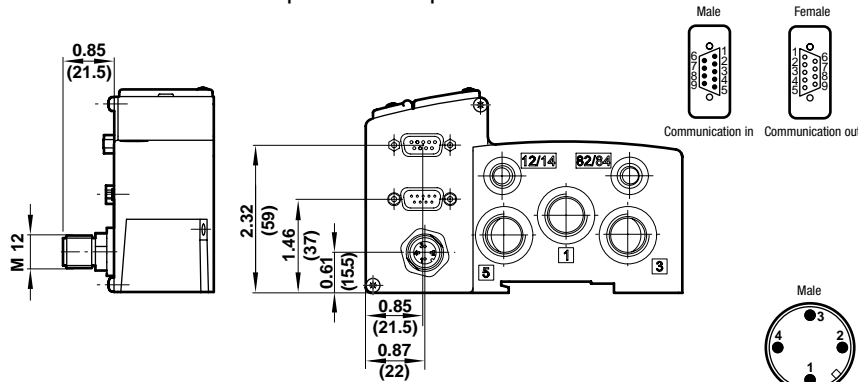
1)  $I_{max} = 10 \text{ mA} + n \cdot 60 \text{ mA}$   
 $n = \text{number of energized solenoids}$   
 2)  $I_{max} = I_{VA} + I_{VB}$

# Valve Islands VS26 Series Plug-in Mini ISO Valves

2x3/2, 5/2 and 5/3 valves, ISO 15407-2, Size 26 mm

## Fieldbus protocol: Interbus-S

Connector: 2 x D-Sub 9-pin / M12 4-pin



### Bus connector: D-Sub 9-pin

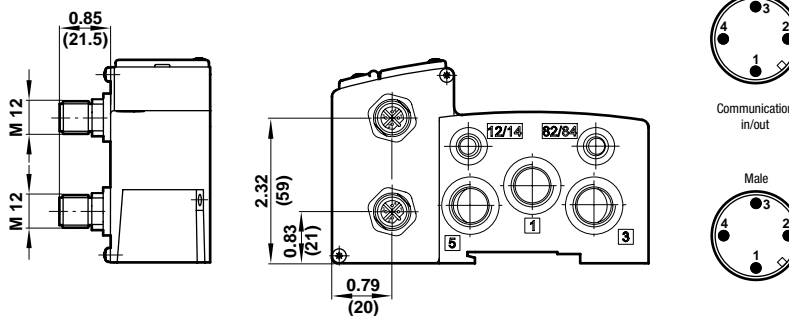
| Pin no. | Function Male | Function Female |
|---------|---------------|-----------------|
| 1       | DO            | DO              |
| 2       | DI            | DI              |
| 3       | OVI           | OVI             |
| 4       | -             | -               |
| 5       | -             | +5VI            |
| 6       | /DO           | /DO             |
| 7       | /DI           | /DI             |
| 8       | -             | -               |
| 9       | -             | RBST            |

### Power connector: M12 4-pin

| Pin no. | Function                   | Tolerance | Max. current |
|---------|----------------------------|-----------|--------------|
| 1       | 24 VB logic circuit supply | +/-25%    | 300 mA       |
| 2       | 24 VA valves               | +/-10%    | 1)           |
| 3       | 0 volts                    | -         | 2)           |
| 4       | Earth                      | -         | -            |

## Fieldbus protocol: AS-Interface

Connector: 1 x M12 / M12 4-pin



### Bus connector: M12 4-pin

| Pin no. | Function | Max. current |
|---------|----------|--------------|
| 1       | AS-I     | 3)           |
| 2       | -        | -            |
| 3       | AS-I     | -            |
| 4       | -        | -            |

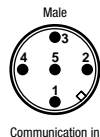
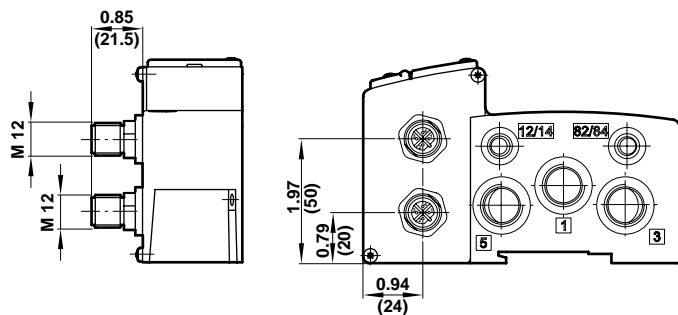
### Power connector: M12 4-pin

| Pin no. | Function | Tolerance | Max. current |
|---------|----------|-----------|--------------|
| 1       | +24 V DC | +/-10%    | 4)           |
| 2       | -        | -         | -            |
| 3       | 0 volts  | -         | -            |
| 4       | -        | -         | -            |

- 1)  $I_{max} = 10 \text{ mA} + n \cdot 60 \text{ mA}$   
n = number of energized solenoids
- 2)  $I_{max} = I_{VA} + I_{VB}$
- 3) Single slave: 40 mA  
Double slave: 75 mA
- 4) Single slave:  
 $I_{max} = 20 \text{ mA} + n \cdot 60 \text{ mA}$   
Double slave:  
 $I_{max} = 35 \text{ mA} + n \cdot 60 \text{ mA}$   
n = number of energized solenoids

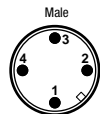
### Fieldbus protocol: DeviceNet

Connector: 1 x M12 5-pin / M12 4-pin



#### Bus connector: M12 5-pin (A-coded)

| Pin no. | Function |
|---------|----------|
| 1       | Drain    |
| 2       | V+       |
| 3       | V-       |
| 4       | CAN_H    |
| 5       | CAN_L    |

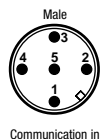
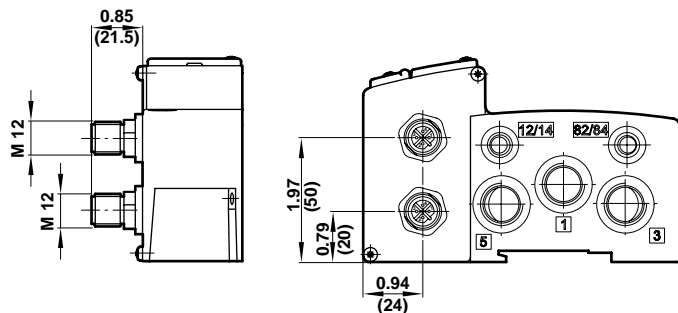


#### Power connector: M12 4-pin

| Pin no. | Function                   | Tolerance | Max. current |
|---------|----------------------------|-----------|--------------|
| 1       | 24 VB logic circuit supply | +/-25%    | 300 mA       |
| 2       | 24 VA valves               | +/-10%    | 1)           |
| 3       | 0 volts                    | -         | 2)           |
| 4       | Earth                      | -         | -            |

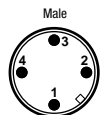
### Fieldbus protocol: CANopen

Connector: 1 x M12 5-pin / M12 4-pin



#### Bus connector: M12 5-pin (A-coded)

| Pin no. | Function |
|---------|----------|
| 1       | Drain    |
| 2       | V+       |
| 3       | V-       |
| 4       | CAN_H    |
| 5       | CAN_L    |

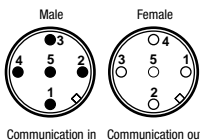
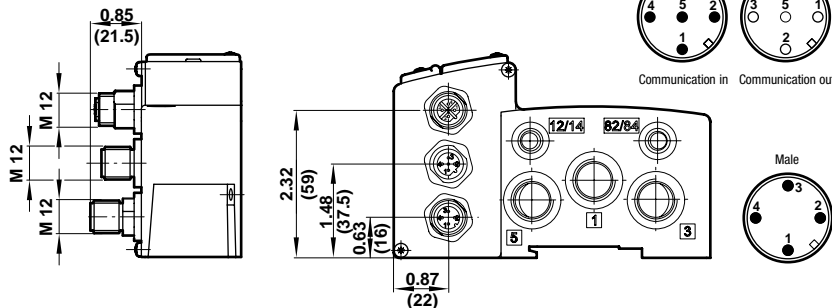


#### Power connector: M12 4-pin

| Pin no. | Function                   | Tolerance | Max. current |
|---------|----------------------------|-----------|--------------|
| 1       | 24 VB logic circuit supply | +/-25%    | 300 mA       |
| 2       | 24 VA valves               | +/-10%    | 1)           |
| 3       | 0 volts                    | -         | 2)           |
| 4       | Earth                      | -         | -            |

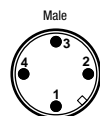
### Fieldbus protocol: AB RIO

Connector: 2 x M12 5-pin / M12 5-pin



#### Bus connector: M12 5-pin (A-coded)

| Pin no. | Function |
|---------|----------|
| 1       | RIO 1    |
| 2       | -        |
| 3       | RIO 2    |
| 4       | -        |
| 5       | RIO SH   |



#### Power connector: M12 4-pin

| Pin no. | Function                   | Tolerance | Max. current |
|---------|----------------------------|-----------|--------------|
| 1       | 24 VB logic circuit supply | +/-25%    | 300 mA       |
| 2       | 24 VA valves               | +/-10%    | 1)           |
| 3       | 0 volts                    | -         | 2)           |
| 4       | Earth                      | -         | -            |

1)  $I_{max} = 10 \text{ mA} + n \cdot 60 \text{ mA}$   
 $n = \text{number of energized solenoids}$   
 2)  $I_{max} = I_{VA} + I_{VB}$

## Fieldbus accessories

| Symbol  | Model  | Description   | Connection | Cable length                    | Protection class          |
|---|--|---|------------|---------------------------------|---------------------------|
| <b>Fieldbus power connector</b>   |  |   |            |                                 |                           |
|    | V11588-E01   | Profibus DP (4-pin, female)<br>Interbus-S (4-pin, female)<br>DeviceNet (4-pin, female)<br>CANopen (4-pin, female)<br>AB RIO (4-pin, female) | M12        | Wireable                        | IP65<br>Required for ATEX |
|    | VS2672907-KG00                                     | Profibus DP (5-pin, female)   | 7/8        | Wireable                        | IP65<br>Required for ATEX |
| <b>Communication cable and connector</b>  |  |   |            |                                 |                           |
|    | V11589-E01   | DeviceNet (5-pin, female)<br>CANopen (5-pin, female)<br>AB RIO (5-pin, female)  | M12        | Wireable                        | IP65<br>Required for ATEX |
|    | VE1FBCRS-M125P                                     | AB RIO (5-pin, male)  | M12        | Wireable                        | IP65<br>Required for ATEX |
|    | V11590-E01   | Profibus DP, reverse keyway<br>(5-pin, male)  | M12        | Wireable                        | IP65<br>Required for ATEX |
|   | V11591-E01   | Profibus DP, reverse keyway<br>(5-pin, female)  | M12        | Wireable                        | IP65<br>Required for ATEX |
|  | V11654-E01   | Profibus DP connector<br>(9-pin, male) with terminating resistor  | D-Sub      | Wireable                        | IP40                      |
|  | V11592-E01   | Profibus DP terminating resistor<br>(male)  | M12        | -                               | IP65<br>Required for ATEX |
|  | VE1ASCN1-M1200                                     | AS-Interface power or<br>communications (4-pin, female)   | M12        | Wireable                        | IP65<br>Required for ATEX |
|  | VE2FBC9P-9S010<br>VE2FBC9P-9S030<br>VE2FBC9P-9S050 | Interbus-S (9-pin)  | D-Sub      | 3' (1m)<br>10' (3m)<br>16' (5m) | IP65<br>Required for ATEX |
|  | VE2FBC9P-00000                                     | Interbus-S (9-pin, male)  | D-Sub      | Wireable                        | IP65<br>Required for ATEX |
|  | VE2FBC9S-00000                                     | Interbus-S (9-pin, female)  | D-Sub      | Wireable                        | IP65<br>Required for ATEX |
|  | V11340-E03   | Interbus-S terminating connector<br>(9-pin, male)   | D-Sub      | -                               | IP65<br>Required for ATEX |





**Worksheet VS26 Series** (Please mark the corresponding boxes and fax the sheet to Norgren customer service)

| Valves                                     | Station        |   |   |   |   |   |   |   |   |   |   |    |    |    |    |    |    |    |
|--|----------------|---|---|---|---|---|---|---|---|---|---|----|----|----|----|----|----|----|
|  | G              | S | 1 | 2 | 3 | 4 | 5 | 6 | 7 | 8 | 9 | 10 | 11 | 12 | 13 | 14 | 15 | 16 |
| G = Glandless spool & sleeve               |                | X |   |   |   |   |   |   |   |   |   |    |    |    |    |    |    |    |
| S = Softseal spool                         |                |   | X |   |   |   |   |   |   |   |   |    |    |    |    |    |    |    |
| 2 x 3/2 Sol/Spring NC                      |                |   |   |   |   |   |   |   |   |   |   |    |    |    |    |    |    |    |
| 2 x 3/2 Sol/Spring NO (5/3 COP)            |                |   | X |   |   |   |   |   |   |   |   |    |    |    |    |    |    |    |
| 2 x 3/2 Sol/Spring NO/NC                   |                |   |   | X |   |   |   |   |   |   |   |    |    |    |    |    |    |    |
| 5/2 Sol/Spring                             |                |   |   |   |   |   |   |   |   |   |   |    |    |    |    |    |    |    |
| 5/2 Sol/Sol                                |                |   |   |   |   |   |   |   |   |   |   |    |    |    |    |    |    |    |
| 5/2 Sol priority side 14/Sol               |                |   |   | X |   |   |   |   |   |   |   |    |    |    |    |    |    |    |
| 5/3 APB Sol/Sol                            |                |   |   |   |   |   |   |   |   |   |   |    |    |    |    |    |    |    |
| 5/3 COE Sol/Sol                            |                |   |   |   |   |   |   |   |   |   |   |    |    |    |    |    |    |    |
| Intermediate supply/exhaust module G1/4    |                |   |   |   |   |   |   |   |   |   |   |    |    |    |    |    |    |    |
| Intermediate supply/exhaust module NPTF1/4 |                |   |   |   |   |   |   |   |   |   |   |    |    |    |    |    |    |    |
| Blanking plate                             |                |   |   |   |   |   |   |   |   |   |   |    |    |    |    |    |    |    |
| Pressure regulator, port 1                 |                |   |   |   |   |   |   |   |   |   |   |    |    |    |    |    |    |    |
| Pressure regulator, port 2                 |                |   |   |   |   |   |   |   |   |   |   |    |    |    |    |    |    |    |
| Pressure regulator, port 4                 |                |   |   |   |   |   |   |   |   |   |   |    |    |    |    |    |    |    |
| Pressure regulator, port 2+4               |                |   |   |   |   |   |   |   |   |   |   |    |    |    |    |    |    |    |
| Flow regulator, port 3 + 5                 |                |   |   |   |   |   |   |   |   |   |   |    |    |    |    |    |    |    |
| Single valve shut-off plate, port 1        |                |   |   |   |   |   |   |   |   |   |   |    |    |    |    |    |    |    |
| G1/4                                       |                |   |   |   |   |   |   |   |   |   |   |    |    |    |    |    |    |    |
| NPTF1/4                                    |                |   |   |   |   |   |   |   |   |   |   |    |    |    |    |    |    |    |
| PIF 10 mm                                  |                |   |   |   |   |   |   |   |   |   |   |    |    |    |    |    |    |    |
| PIF 8 mm                                   |                |   |   |   |   |   |   |   |   |   |   |    |    |    |    |    |    |    |
| PIF3/8                                     |                |   |   |   |   |   |   |   |   |   |   |    |    |    |    |    |    |    |
| Blanking discs 1) (optional)               | Port 1         |   |   |   |   |   |   |   |   |   |   |    |    |    |    |    |    |    |
|  | Port 3 + 5     |   |   |   |   |   |   |   |   |   |   |    |    |    |    |    |    |    |
|  | Port 1 + 3 + 5 |   |   |   |   |   |   |   |   |   |   |    |    |    |    |    |    |    |

**Part no of configured valve island:**  
 V S 2 6 \_ \_ \_ \_ \_ \_ \_ \_ \_ \_  
 (This line will be filled out by Norgren)  
 In case of repeat order, please indicate only this number.

**Customer:** \_\_\_\_\_  
**Contact:** \_\_\_\_\_  
**Phone:** \_\_\_\_\_  
**Fax:** \_\_\_\_\_  
**Order no:** \_\_\_\_\_  
**Quantity:** \_\_\_\_\_  
**Date:** \_\_\_\_\_

1) For blanking discs after odd valve stations please contact technical service

**Additional accessories / Notes:**

**Pilot supply**

- Internal
  - External
  - Mixed (please specify in notes)
- ATEX approval (24V DC)**
- Yes (requires use of approved VS26 connectors)

**Manual override (all valves)**

- Push only
- Push & turn
- Extended, push only
- Mixed (please specify in notes)

**End plate kit**

- G3/8
- NPTF3/8

**Multipole connectors (voltage)**

- 9-pin D-Sub (24V DC)
- 15-pin D-Sub (24V DC)
- 25-pin D-Sub (24V DC)
- 44-pin D-Sub (24V DC)
- NPTF1 Conduit entry (24V DC and 115V AC)

**Multipole accessories**

- Connector with cable 1m
- Connector with cable 3m
- Connector with cable 5m

**Fieldbus options (24V DC)**

- Profibus DP: 1 x D-Sub 9-pin / M12 4-pin
- Profibus DP: 2 x M12 5-pin / M12 4-pin
- Profibus DP: 2 x M12 5-pin / 7/8 5-pin
- Interbus-S: 2 x D-Sub 9-pin / M12 4-pin
- AS-Interface: 1 x M12 4-pin / M12 4-pin
- DeviceNet: 1 x M12 5-pin / M12 4-pin
- CANopen: 1 x M12 5-pin / M12 4-pin
- AB RIO: 2 x M12 5-pin / M12 4-pin

**Accessories**

- DIN-rail 1m (35 x 7.5mm)
- DIN-rail 1m (35 x 15mm)
- DIN-rail mounting kit (1 per valve island)
- Manual override set-up kit: quantity \_\_\_\_\_

# Valve Islands VS26 Series Plug-in Mini ISO Valves

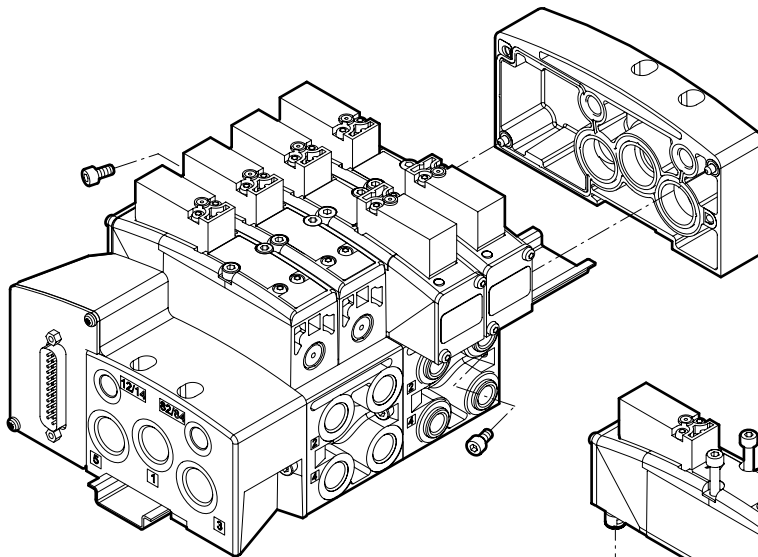
2x3/2, 5/2 and 5/3 valves, ISO 15407-2, Size 26 mm

## A – Single add-on stations

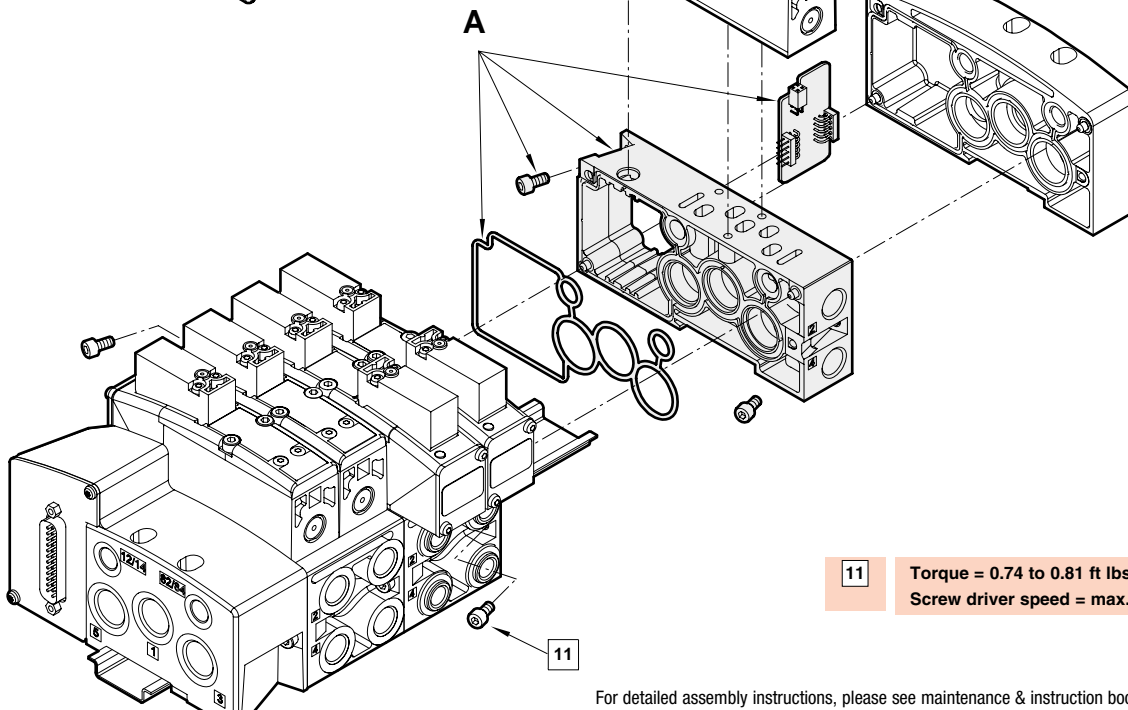
including PCB, sub-base, gasket and screws

| Model          | Description                                      | Ports 2 & 4 |
|----------------|--|-------------|
| VS2672504-BGFO | Add-on station for D-Sub connectors and Fieldbus | G1/4        |
| VS2672504-RGFO | Add-on station for D-Sub connectors and Fieldbus | NPTF 1/4    |
| VS2672504-YGFO | Add-on station for D-Sub connectors and Fieldbus | PIF 10 mm   |
| VS2672504-8GFO | Add-on station for D-Sub connectors and Fieldbus | PIF 8 mm    |
| VS2672504-2GFO | Add-on station for D-Sub connectors and Fieldbus | PIF 3/8     |
| VS2672505-BGFO | Add-on station for Conduit entry                 | G1/4        |
| VS2672505-RGFO | Add-on station for Conduit entry                 | NPTF 1/4    |
| VS2672505-YGFO | Add-on station for Conduit entry                 | PIF 10 mm   |
| VS2672505-8GFO | Add-on station for Conduit entry                 | PIF 8 mm    |
| VS2672505-2GFO | Add-on station for Conduit entry                 | PIF 3/8     |

### Step 1



### Step 2



**11** Torque = 0.74 to 0.81 ft lbs (1.0 - 1.1 Nm)  
Screw driver speed = max. 1100 r.p.m.

For detailed assembly instructions, please see maintenance & instruction booklet!

## Valves

### Sub-bases and end plates (without PCB's)

including screws and gaskets

#### A – End plate kit

| Model          | Description                 | Ports<br>1, 3 & 5 | Ports<br>12/14 & 82/84 |
|----------------|-----------------------------|-------------------|------------------------|
| VS2672500-CGCO | End plate kit for Multipole | G3/8              | G1/8                   |
| VS2672500-SGCO | End plate kit for Multipole | NPTF3/8           | NPTF 1/8               |
| VS2672501-CGCO | End plate kit for Fieldbus  | G3/8              | G1/8                   |
| VS2672501-SGCO | End plate kit for Fieldbus  | NPTF3/8           | NPTF 1/8               |

#### B – Double station modular sub-base

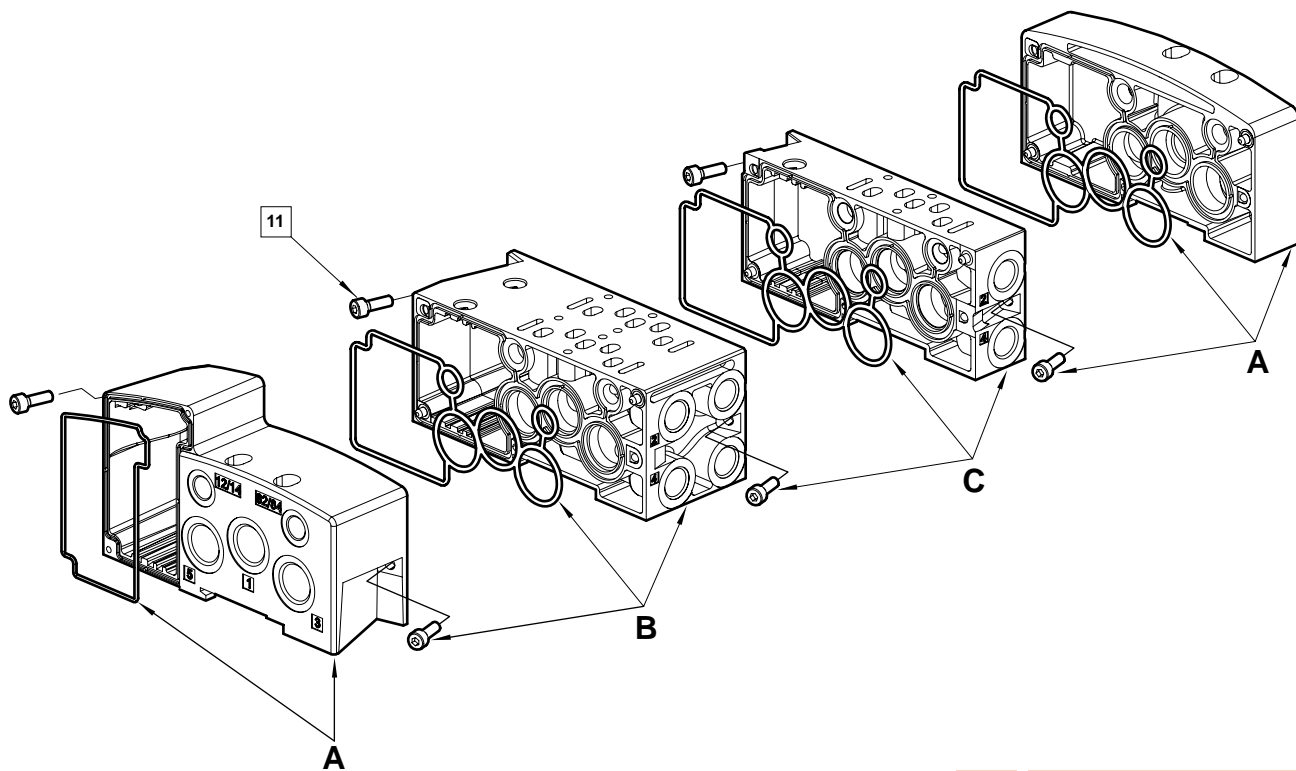
| Model          | Ports<br>2 & 4 |
|----------------|----------------|
| VS2672502-BGF0 | G1/4           |
| VS2672502-RGF0 | NPTF 1/4       |
| VS2672502-YGF0 | PIF 10 mm      |
| VS2672502-8GF0 | PIF 8 mm       |
| VS2672502-2GF0 | PIF 3/8        |

#### C – Single station modular sub-base

| Model          | Ports<br>2 & 4 |
|----------------|----------------|
| VS2672503-BGF0 | G1/4           |
| VS2672503-RGF0 | NPTF 1/4       |
| VS2672503-YGF0 | PIF 10 mm      |
| VS2672503-8GF0 | PIF 8 mm       |
| VS2672503-2GF0 | PIF 3/8        |

#### Spare parts

| Model    | Description                       | Quantity per slice |
|----------|-----------------------------------|--------------------|
| 77.31106 | Hexagon socket screw M4x12        | 2                  |
| 94.00815 | Gasket                            | 1                  |
| 94.00816 | Connector-kit gasket on end plate | 1                  |



For detailed assembly instructions, please see maintenance & instruction booklet!

11

Torque = 0.74 to 0.81 ft lbs (1.0 - 1.1 Nm)  
Screw driver speed = max. 1100 r.p.m.

# Valve Islands VS26 Series Plug-in Mini ISO Valves

2x3/2, 5/2 and 5/3 valves, ISO 15407-2, Size 26 mm

## Multipole components

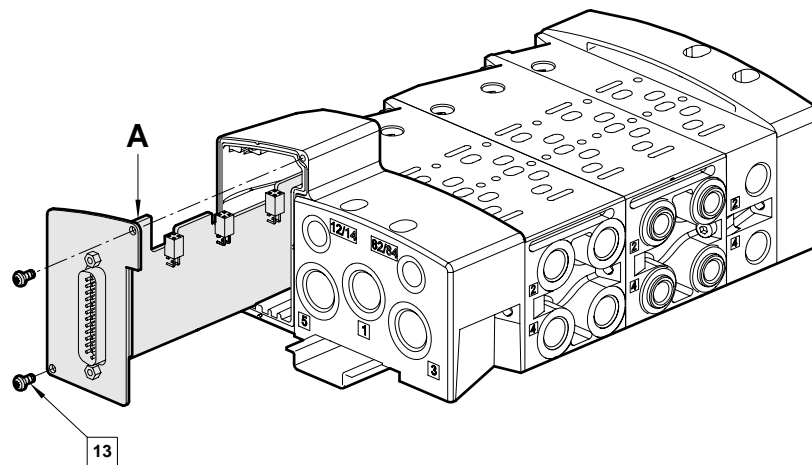
### A - Output boards with D-Sub connectors

| Model          | Connector type | Description               | Expandable to max. x no. of stations <sup>1)</sup> | Voltage |
|----------------|----------------|---------------------------|--|---------|
| VS2672717-KG00 | D-Sub 9-pin    | Multipole PCB 2 stations  | 4  | 24V DC  |
| VS2672718-KG00 | D-Sub 15-pin   | Multipole PCB 2 stations  | 6  | 24V DC  |
| VS2672705-KG00 | D-Sub 15-pin   | Multipole PCB 4 stations  | 7  | 24V DC  |
| VS2672719-KG00 | D-Sub 25-pin   | Multipole PCB 2 stations  | 6  | 24V DC  |
| VS2672700-KG00 | D-Sub 25-pin   | Multipole PCB 4 stations  | 8  | 24V DC  |
| VS2672701-KG00 | D-Sub 25-pin   | Multipole PCB 6 stations  | 10   | 24V DC  |
| VS2672702-KG00 | D-Sub 25-pin   | Multipole PCB 8 stations  | 12   | 24V DC  |
| VS2672703-KG00 | D-Sub 44-pin   | Multipole PCB 8 stations  | 12   | 24V DC  |
| VS2672706-KG00 | D-Sub 44-pin   | Multipole PCB 10 stations | 14   | 24V DC  |
| VS2672704-KG00 | D-Sub 44-pin   | Multipole PCB 12 stations | 16   | 24V DC  |

<sup>1)</sup> By using below expansion output boards.

### Expansion output boards for D-Sub connectors

| Model          | Description              | Voltage |
|----------------|--------------------------|---------|
| VS2672755-KG00 | Multipole PCB 1 station  | 24V DC  |
| VS2672713-KG00 | Multipole PCB 2 stations | 24V DC  |



For detailed assembly instructions, please see maintenance & instruction booklet!

**13** Torque = 0.59 to 0.66 (0.8 - 0.9 Nm)  
Screw driver speed = max. 1100 r.p.m

# Valve Islands VS26 Series Plug-in Mini ISO Valves

## Multipole components

### A - Connector-kit for conduit entry

| Model          | Description                         | Voltage         |
|----------------|-------------------------------------|-----------------|
| VS2672742-KG00 | E-Connector-kit NPTF1 Conduit entry | 115V AC, 24V DC |

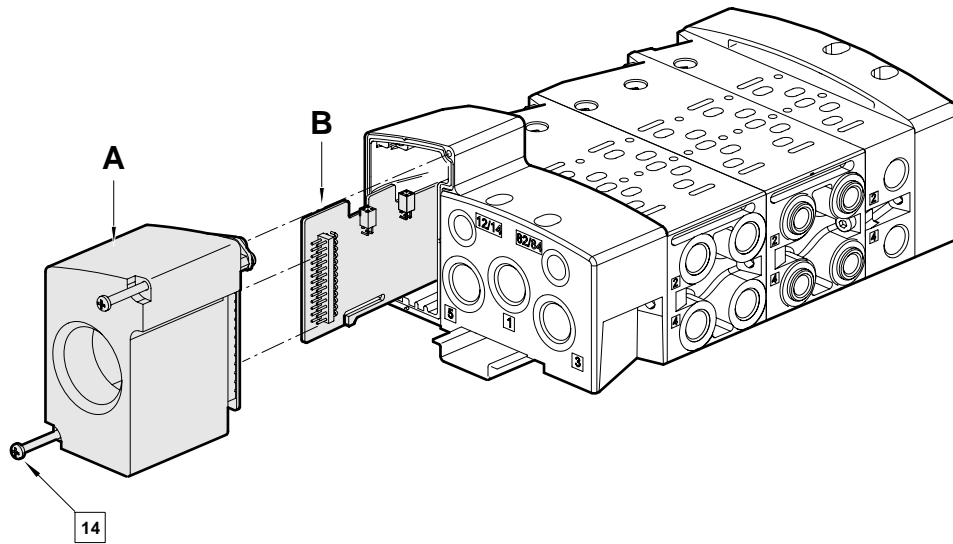
### B - Output boards for conduit entry

| Model          | Description              | Expandable to max. x no. of stations <sup>1)</sup> | Voltage         |
|----------------|--------------------------|--|-----------------|
| VS2672708-KG00 | Multipole PCB 2 stations | 6  | 115V AC, 24V DC |
| VS2672709-KG00 | Multipole PCB 4 stations | 8  | 115V AC, 24V DC |
| VS2672710-KG00 | Multipole PCB 6 stations | 10   | 115V AC, 24V DC |
| VS2672711-KG00 | Multipole PCB 8 stations | 12   | 115V AC, 24V DC |

<sup>1)</sup> By using below expansion output boards.

### Expansion output boards for conduit entry

| Model          | Description              | Voltage         |
|----------------|--------------------------|-----------------|
| VS2672756-KG00 | Multipole PCB 1 station  | 115V AC, 24V DC |
| VS2672715-KG00 | Multipole PCB 2 stations | 115V AC, 24V DC |



For detailed assembly instructions, please see maintenance & instruction booklet!

14

Torque = 0.59 to 0.66 (0.8 - 0.9 Nm)  
Screw driver speed = max. 1100 r.p.m